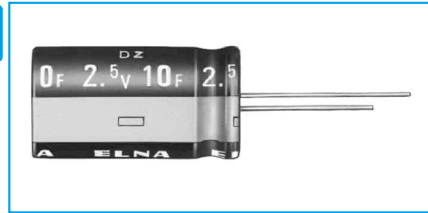


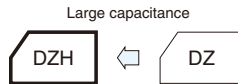
## Standard, Large capacitance type Capacitors

GREEN CAP 60°C / 70°C 25V / 27V

- Pollution-Free ; with no pollutants such as Cd or Pb.
- Unlike batteries ; excellent charge and discharge characteristics with no chemical reactions



Marking color : White print on a black sleeve

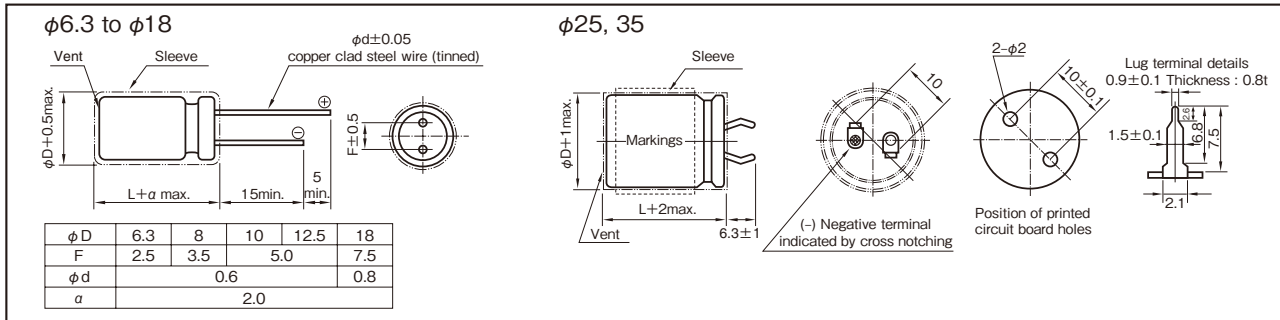


### Specifications

Item	Performance														
	Series DZ							Series DZH							
Series name	Series DZ							Series DZH							
Category temperature range (°C)	-25 to +70							-25 to +60							
Tolerance at rated capacitance (%)	-20 to +80							-20 to +80							
Internal resistance at 1kHz	Rated capacitance (F)	0.9	1.0	2.7	3.3	4.7	6.8	10	20	30	50	100	200	300	
	Internal resistance (Ω)	1.0	1.0	0.5	0.3	0.2	0.2	0.2	0.2	0.2	0.08	0.08	0.08	0.08	
Characteristics at high and low temperature	Percentage of capacitance change	Within ±30% of the value at 20°C							Within ±30% of value at 20°C						
	Internal resistance	Less than five times of the value at 20°C							Less than eight times of the value at 20°C						
Endurance	Test temperature	70°C							60°C						
	Test time	1000 hours							2000 hours						
	Percentage of capacitance change	Within ±30% of the initial measured value							Within ±30% of the initial measured value						
	Internal resistance	Less than four times of the initial specified value							Less than four times of the initial specified value						
Shelf life	Same as endurance							Same as endurance							
Applicable standards	Conforms to JIS C5160-1 2009 (IEC 62391-1 2006)														

### Outline Drawing

Unit : mm



### Part numbering system (example : 2.5V10F)

DZ	—	2R5	D	106	□□	T
Series code		Max.operating voltage symbol	Rated capacitance symbol		Casing symbol	

Part number is refer to above table.

### NOTE

Design, Specifications are subject to change without notice. Ask factory for technical specifications before purchase and/or use.

## Standard Ratings (Series DZ 2.5V)

Max. operating voltage (V)	Rated capacitance (F)	Max. Leakage Current (mA) after 24h	ELNA Parts No.	φD×L (mm)	*Internal resistance (mΩ) at 1kHz (measurement value)
2.5	0.9	0.1	DZ-2R5D904F4T	6.3×14.0	400
2.5	1.0	0.1	DZ-2R5D105G3T	8.0×12.0	200
2.5	1.0	0.1	DZ-2R5D105G4T	8.0×15.0	200
2.5	1.0	0.1	DZ-2R5D105T	8.0×22.0	150
2.5	2.7	0.2	DZ-2R5D275G5T	8.0×22.0	150
2.5	3.3	0.2	DZ-2R5D335H5T	10.0×20.0	80
2.5	3.3	0.2	DZ-2R5D335T	12.5×23.0	70
2.5	4.7	0.3	DZ-2R5D475H5T	10.0×20.0	50
2.5	4.7	0.3	DZ-2R5D475T	12.5×31.5	40
2.5	6.8	0.4	DZ-2R5D685H7T	10.0×30.0	50
2.5	10	0.5	DZ-2R5D106H8T	10.0×35.0	50
2.5	10	0.5	DZ-2R5D106Z7T	12.5×31.5	40
2.5	10	0.5	DZ-2R5D106T	18.0×35.0	30
2.5	20	0.8	DZ-2R5D206K8T	18.0×35.0	30
2.5	20	0.8	DZ-2R5D206T	18.0×40.0	30
2.5	30	0.8	DZ-2R5D306K9T	18.0×40.0	30
2.5	50	1.0	DZ-2R5D506T	25.0×40.0	20
2.5	100	1.0	DZ-2R5D107S37T	25.0×50.0	15
2.5	100	1.0	DZ-2R5D107T	35.0×50.0	15
2.5	200	2.0	DZ-2R5D207S57T	35.0×50.0	15

\*Internal resistance are not guaranteed values, but measurement value.

We tailor packaged product in series and parallel arrangements according to voltage and capacitance as required.

## Standard Ratings (Series DZ 2.7V)

Max. operating voltage (V)	Rated capacitance (F)	Max. Leakage Current (mA) after 24h	ELNA Parts No.	φD×L (mm)	*Internal resistance (mΩ) at 1kHz (measurement value)
2.7	0.9	0.2	DZ-2R7D904F4T	6.3×14.0	400
2.7	1.0	0.2	DZ-2R7D105G3T	8.0×12.0	200
2.7	1.0	0.2	DZ-2R7D105G4T	8.0×15.0	200
2.7	1.0	0.2	DZ-2R7D105G5T	8.0×22.0	150
2.7	2.7	0.3	DZ-2R7D275G5T	8.0×22.0	150
2.7	3.3	0.3	DZ-2R7D335H5T	10.0×20.0	80
2.7	3.3	0.3	DZ-2R7D335Z6T	12.5×23.0	70
2.7	4.7	0.4	DZ-2R7D475H5T	10.0×20.0	50
2.7	4.7	0.4	DZ-2R7D475Z7T	12.5×31.5	40
2.7	6.8	0.5	DZ-2R7D685H7T	10.0×30.0	50
2.7	10	0.6	DZ-2R7D106H8T	10.0×35.0	50
2.7	10	0.6	DZ-2R7D106Z7T	12.5×31.5	40
2.7	10	0.6	DZ-2R7D106K8T	18.0×35.0	30
2.7	20	1.0	DZ-2R7D206K8T	18.0×35.0	30
2.7	20	1.0	DZ-2R7D206K9T	18.0×40.0	30
2.7	30	1.0	DZ-2R7D306K9T	18.0×40.0	30

\*Internal resistance are not guaranteed values, but measurement value.

We tailor packaged product in series and parallel arrangements according to voltage and capacitance as required.

## Standard Ratings (Series DZH 2.5V)

Max. operating voltage (V)	Rated capacitance (F)	Max. Leakage Current (mA) after 24h	ELNA Parts No.	φD×L (mm)	*Internal resistance (mΩ) at 1kHz (measurement value)
2.5	50	1.0	DZH-2R5D506K9T	18.0×40.0	30
2.5	100	2.0	DZH-2R5D107S35T	25.0×40.0	20
2.5	300	5.0	DZH-2R5D307S57T	35.0×50.0	15

\*Internal resistance are not guaranteed values, but measurement value.

We tailor packaged product in series and parallel arrangements according to voltage and capacitance as required.

## NOTE

Design, Specifications are subject to change without notice.  
Ask factory for technical specifications before purchase and/or use.