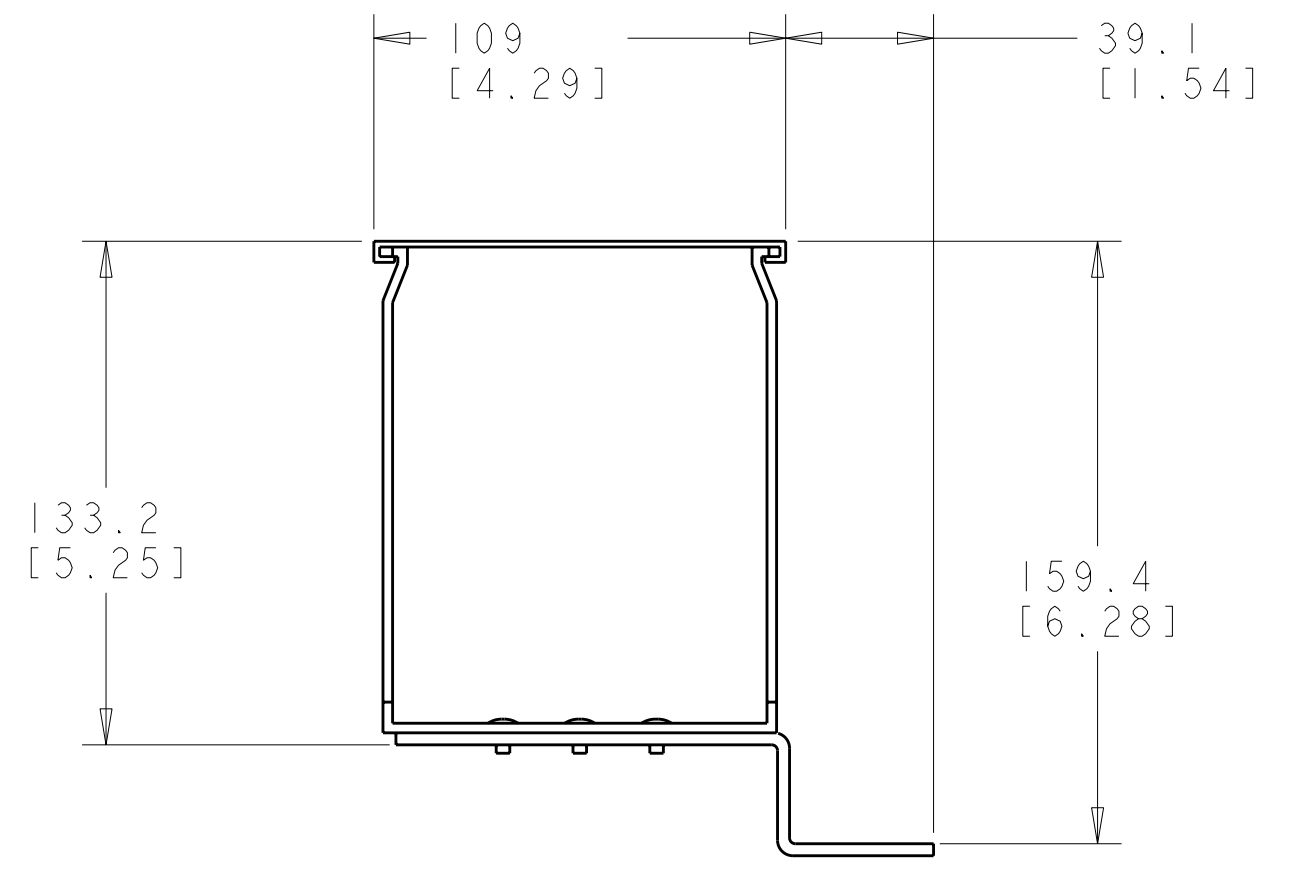
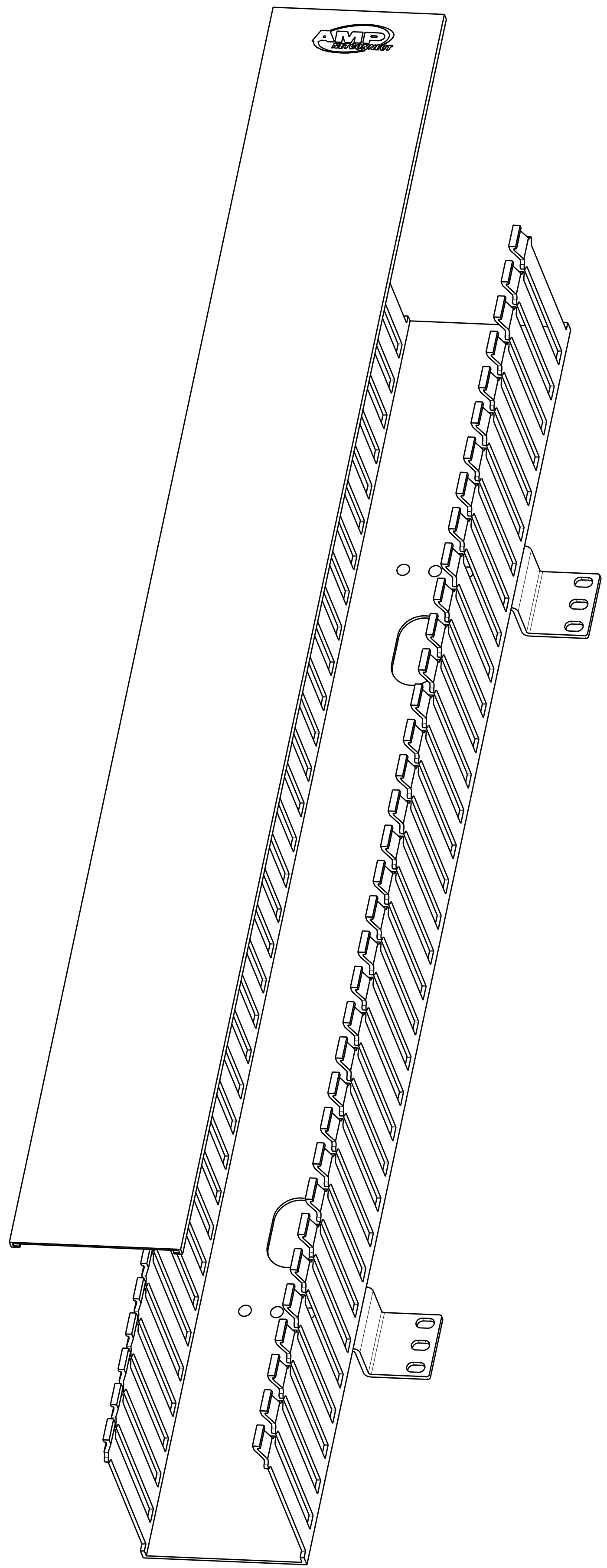
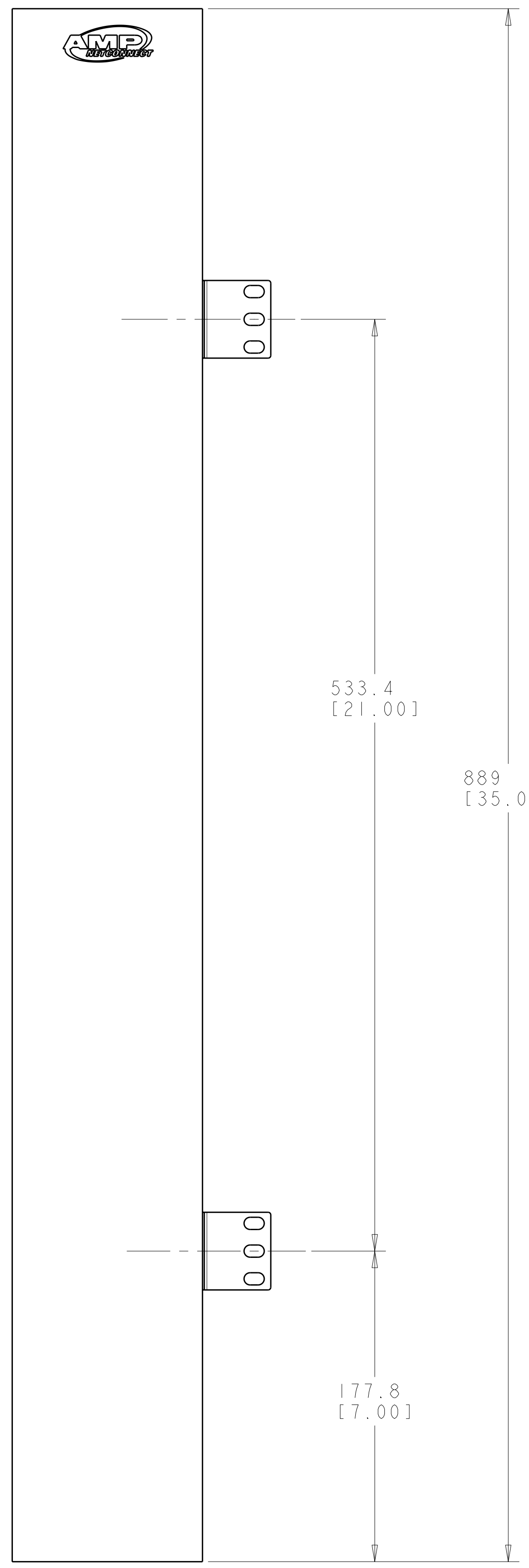


LOC	DIST	REVISIONS			
HM	00	REV	DATE	BY	APPD
		O	RELEASED; NPR NSD00-047	11AUG2000	LS SH
		A	REV; EC 0B40-0210-00	17NOV2000	GG SH
		B	REV; EC 0B40-0044-02	16APR02	GG SH
		C	REV; ECO-10-002384	09FEB2010	GG SH



- ⚠ MATERIAL: ASSEMBLY - POWDER COATED ALUMINUM, AND PVC, BLACK, MATTE FINISH.
2. ALL DIMENSIONS ARE NOMINAL UNLESS OTHERWISE NOTED.

1375165-1
PART NO.

<small>THIS DRAWING IS UNPUBLISHED. RELEASED FOR PUBLICATION BY TYCO ELECTRONICS CORPORATION. IT IS SUBJECT TO CHANGE WITHOUT NOTICE AND WITHOUT OBLIGATION. SHOULD BE CONTACTED FOR THE LATEST REVISION.</small>		DWN: L. SMITH 17NOV2000 CHK: S. HERNDON 11AUG2000 APPD: B. DAVIS 11AUG2000	Tyco Electronics Harrisburg, PA 17105-3608
DIMENSIONS: MM [INCHES] TOLERANCES UNLESS OTHERWISE SPECIFIED: 0 PLC ± 1 PLC ± 2 PLC ± 3 PLC ± 4 PLC ± ANGLES ± MATERIAL: - FINISH: -	NAME: PANEL, VERT. CABLE MANAGEMENT, 35 INCH PRODUCT SPEC: APPLICATION SPEC: SIZE: CAGE CODE DRAWING NO: RESTRICTED TO:	SCALE: 1:2 SHEET 1 OF 1 REV C	CUSTOMER DRAWING