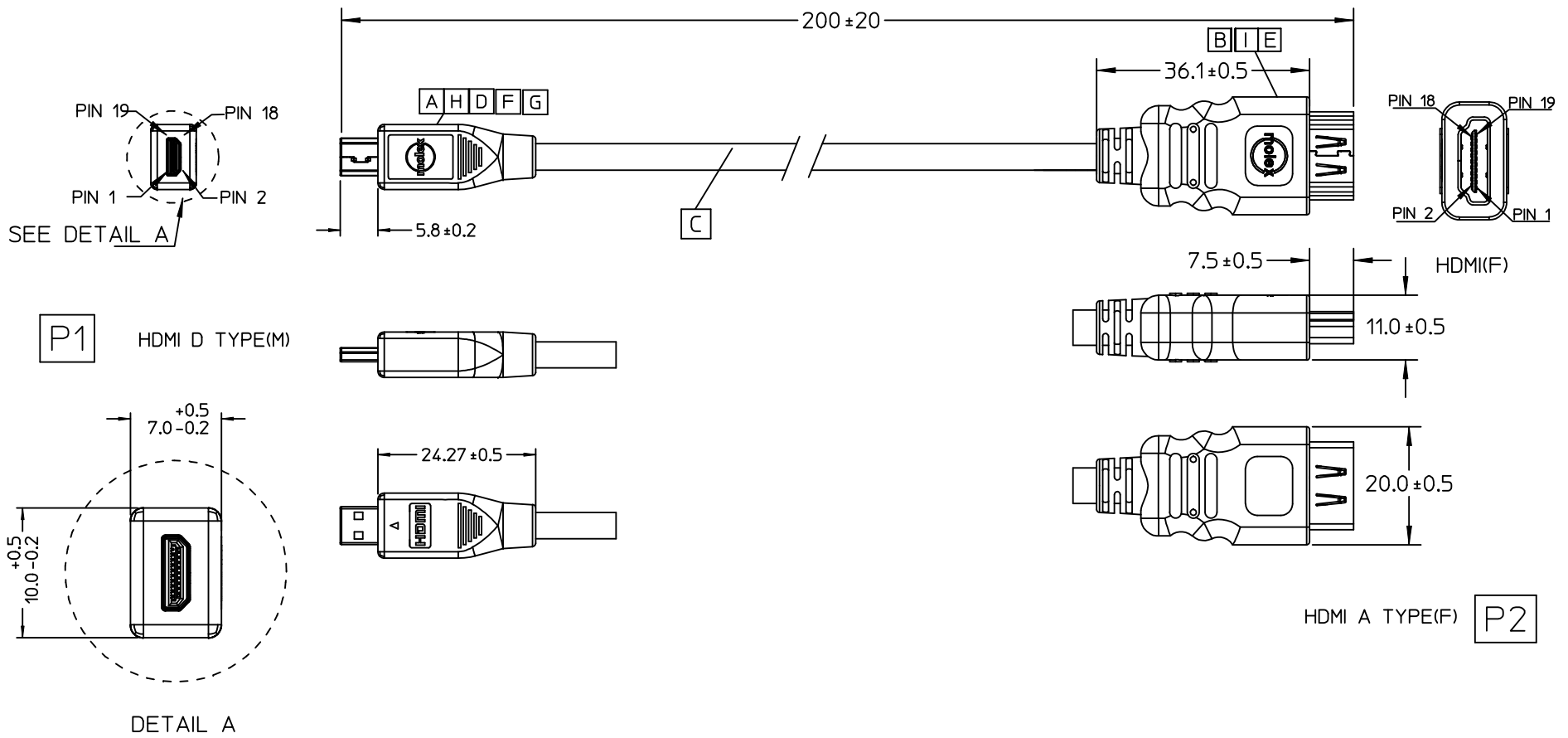


ECN NO		DATE	REV	REVISIONS	DESCRIPTION	CHANGER
CY11-6680		2011/05/19	D	CHANGE RAW CABLE P/N		JLIU13
CY12-7011		2011/07/08	E	CHANGE COPPER FOIL		VANESSA
CY12-7570		2013/04/11	F	CHANGE DESCRIPTION FOR RAW CABLE		ANDY



ENTER DESCRIPTION EC NO: CPG2013-3146 DRWN: XJGU001 CHKD: ANDY APPR: XAWANG 2013/04/13 2013/04/13 2013/04/13	QUALITY SYMBOLS 	GENERAL TOLERANCES (UNLESS SPECIFIED)		DIMENSION STYLE MM ONLY		SCALE	DESIGN UNITS METRIC	THIRD ANGLE PROJECTION	
			mm	INCH	DRAWN BY XJGU001	DATE 2013/04/13	TITLE MICRO HDMI TO HDMI A RECP ADAPTER		
		4 PLACES ± --- ± --- 3 PLACES ± --- ± --- 2 PLACES ± 0.25 ± --- 1 PLACE ± 0.5 ± --- 0 PLACE ± --- ± ---			CHECKED BY LIU JING	DATE 2013/04/13			
		DRAFT WHERE APPLICABLE MUST REMAIN WITHIN DIMENSIONS		MATERIAL NO. 687860007	APPROVED BY DATE	DOCUMENT NO. SD-68786-003	SHEET NO. 1 OF 2		

molex

NOTE:
 1. BOTH SIDE INNERMOLD WITH PE RESIN.
 BOTH SIDE OVERMOLD WITH PVC RESIN.
 2. THIS CABLE CAN MEET HDMI SPECIFICATION.
 3. THIS PRODUCT CAN MEET MOLEX PS-40000-5016 ENVIRONMENTAL REQUIREMENTS.

P1	FUNCTION	P2	WIRE COLOR
Pin 1	HOT PLUG DETECT	Pin 19	BLACK
Pin 2	UTILITY	Pin14	BROWN
Pin 3	TMDS DATA2+	Pin 1	WHITE
Pin 4	TMDS DATA2 GND	Pin 2	DRAIN WIRE
Pin 5	TMDS DATA2-	Pin 3	RED
Pin 6	TMDS DATA1+	Pin 4	WHITE
Pin 7	TMDS DATA1 GND	Pin 5	DRAIN WIRE
Pin 8	TMDS DATA1-	Pin 6	GREEN
Pin 9	TMDS DATA0+	Pin 7	WHITE
Pin 10	TMDS DATA0 GND	Pin 8	DRAIN WIRE
Pin 11	TMDS DATA0-	Pin 9	BLUE
Pin 12	TMDS COLOK+	Pin 10	WHITE
Pin 13	TMDS COLOK GND	Pin 11	DRAIN WIRE
Pin 14	TMDS COLOK-	Pin 12	YELLOW
Pin 15	CEC	Pin 13	RED
Pin 16	DDC/CEC GND	Pin 17	YELLOW
Pin 17	SCL	Pin 15	GREEN
Pin 18	SDA	Pin 16	BLUE
Pin 19	+5V POWER	Pin 18	WHITE
SHELL		SHELL	BRAID

Note: TMDS drain wire can be short.

ITEM	DESCRIPTION	QTY.
I	Double Elect. C.FOIL tape W=6.35mm T=25u	1
H	Copper foil 24.6*15.5 mm MicroHDMI HF	1
G	Pre-cut Copper foil 25x8mm HF	1
F	WIRE HOLDER	1
E	HDMI RECEPTACAL	1
D	LOCTITE 416 GLUE	AS
C	4PX32+7CX32AWG;SHLD;PVC;BK;4.80;UL20379	AS
B	COPPER FOIL	1
A	MICRO HDMI CONNECTOR	1

ENTER DESCRIPTION EC NO: CPG2013-3146 DRWN:XJGU001 2013/04/13 CHKD:ANDY 2013/04/13 APPR:XAWANG 2013/04/22	QUALITY SYMBOLS F=0 F=0 F=0	GENERAL TOLERANCES (UNLESS SPECIFIED)		DIMENSION STYLE MM ONLY	SCALE 1:1	DESIGN UNITS METRIC	THIRD ANGLE PROJECTION		
				DRAWN BY DATE XJGU001 2013/04/13	TITLE MICRO HDMI TO HDMI A RECP ADAPTER				
				CHECKED BY DATE LIU JING 2013/04/13	APPROVED BY DATE				
				MATERIAL NO. 687860007	DOCUMENT NO. SD-68786-003	SHEET NO. 2 OF 2			
		ANGULAR ±---° DRAFT WHERE APPLICABLE MUST REMAIN WITHIN DIMENSIONS		THIS DRAWING CONTAINS INFORMATION THAT IS PROPRIETARY TO MOLEX INCORPORATED AND SHOULD NOT BE USED WITHOUT WRITTEN PERMISSION					