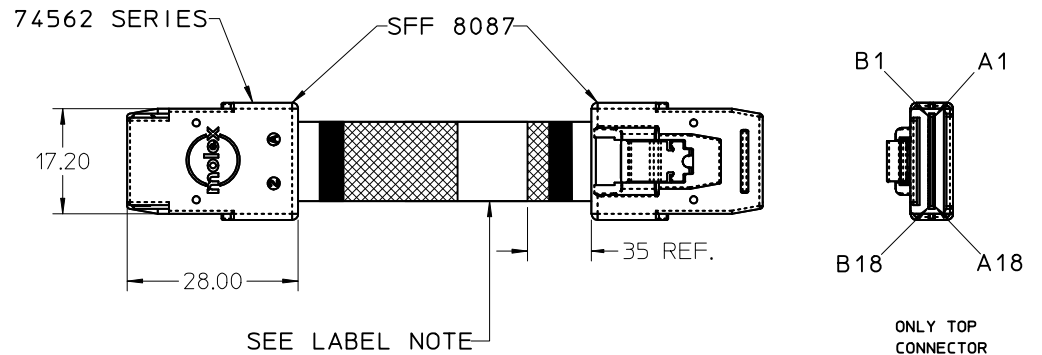
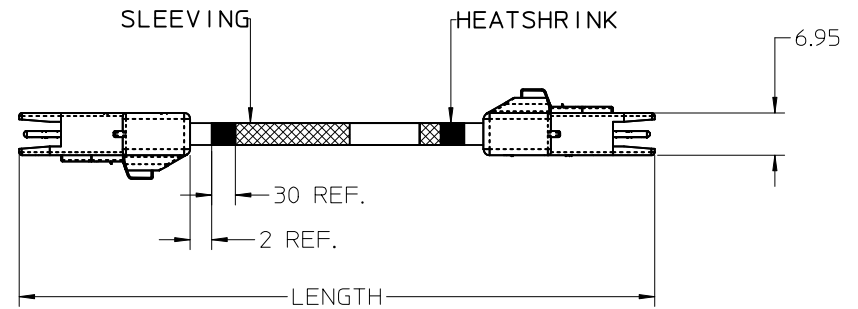


MOLEX P/N	SIDEBANDS	APPLICATION	SLEEVING	AWG	LENGTH(M)	TOL(+/-)	PIN OUT
795762100	YES	Ctrl to BP	YES	30	0.152	0.015	PIN OUT 1
795762101	YES	Ctrl to BP	YES	30	0.3	0.015	PIN OUT 1
795762102	YES	Ctrl to BP	YES	30	0.5	0.015	PIN OUT 1
795762103	YES	Ctrl to BP	YES	30	0.6	0.015	PIN OUT 1
795762104	YES	Ctrl to BP	YES	28	1	0.030	PIN OUT 1
795762105	YES	Ctrl to BP	YES	30	0.33	0.015	PIN OUT 1
795762107	YES	Ctrl TO BP	YES	30	0.225	0.015	PIN OUT 1
795762110	YES	Ctrl to CTRL	YES	30	0.152	0.015	PIN OUT 2
795762111	YES	Ctrl to CTRL	YES	30	0.3	0.015	PIN OUT 2
795762112	YES	Ctrl to CTRL	YES	30	0.5	0.015	PIN OUT 2
795762113	YES	Ctrl to CTRL	YES	30	0.6	0.015	PIN OUT 2
795762114	YES	Ctrl to CTRL	YES	28	1	0.030	PIN OUT 2
795762120	NO	N/A	YES	30	0.152	0.015	PIN OUT 3
795762121	NO	N/A	YES	30	0.3	0.015	PIN OUT 3
795762122	NO	N/A	YES	30	0.5	0.015	PIN OUT 3
795762123	NO	N/A	YES	30	0.6	0.015	PIN OUT 3
795762124	NO	N/A	YES	28	1	0.030	PIN OUT 3
795762125	NO	N/A	YES	28	0.875	0.010	PIN OUT 3
795762126	NO	N/A	YES	30	0.650	0.010	PIN OUT 3
795762127	NO	N/A	YES	28	0.710	0.010	PIN OUT 3
795762128	NO	N/A	YES	28	0.935	0.010	PIN OUT 3
795762129	NO	N/A	YES	30	0.800	0.010	PIN OUT 3
795762141	NO	N/A	YES	28	1.1	0.010	PIN OUT 3
795762142	NO	N/A	YES	28	2.1	0.010	PIN OUT 3
795762012	YES	Ctrl to CTRL	NO	30	0.5	0.015	PIN OUT 2
795762137	NO	N/A	YES	28	0.6	0.015	PIN OUT 3
795762138	NO	N/A	YES	26	0.9	0.015	PIN OUT 3
795762140	YES	Ctrl to CTRL	YES	26	0.8	0.015	PIN OUT 1

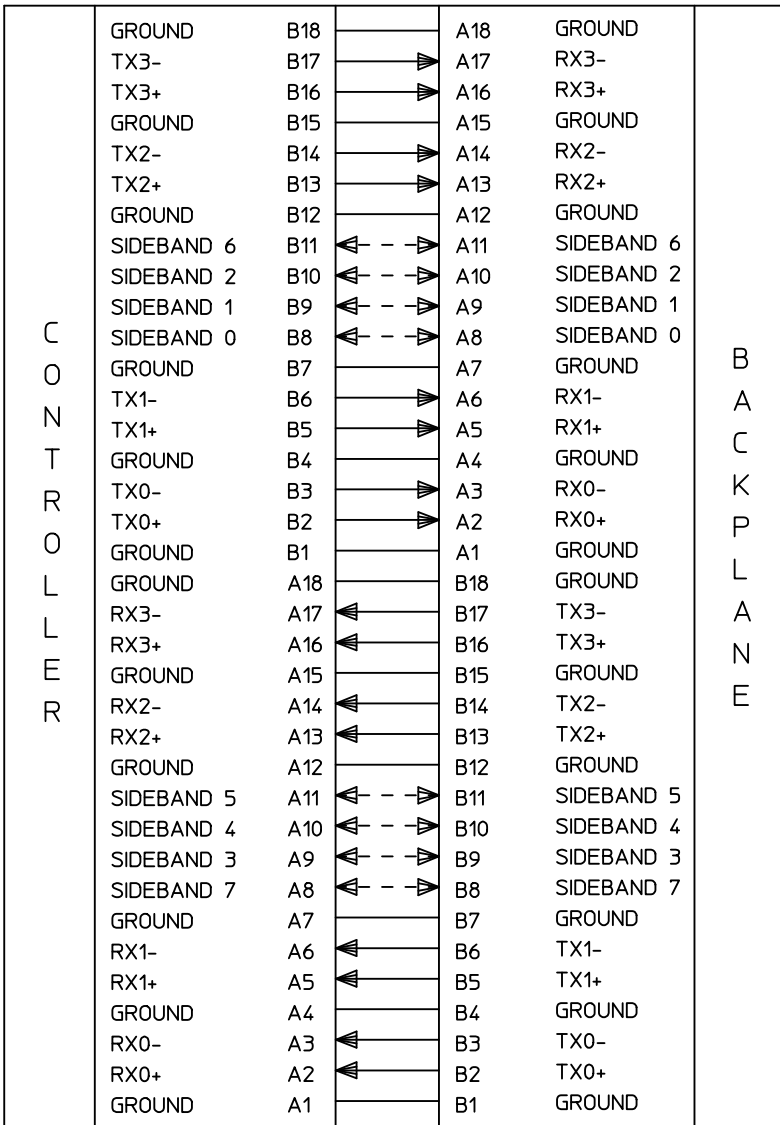


NOTES:

- MATERIAL:
 - OVER MOLD - POLYBUTYLENE TEREPHTHALATE (PBT), 94-V0, GLASS FILLED 30%.
 - LATCH - STAINLESS STEEL ALLOY.
 - CABLE -
 - SIGNALS PVC INSULATION
 - SOLID COPPER SIGNAL AND DRAIN.
 - INNER DIELECTRIC IS POLYOLEFIN
 - TWIN-AX SHIELD IS ALUMINIZED POLYESTER FOIL.
 - JACKET - PVC RED
 - PCB - FR4
- PRODUCT TO PERFORM PER PRODUCT SPECIFICATION: PS-75783-001.
- PRODUCT MATES TO 75783 (RIGHT ANGLE) AND 75784 (VERTICAL) SERIES.
- THIS PRODUCT CONFORMS TO THE MECHANICAL DIMENSIONING AND ELECTRICAL PERFORMANCE REQUIREMENTS OF SFF-8087.
- MINIMUM RECOMMENDED BEND RADIUS 28 MM.
- THIS PRODUCT MEETS THE RESTRICTION OF HAZARDOUS SUBSTANCES IN ELECTRICAL AND ELECTRONIC EQUIPMENT (RoHS) DIRECTIVE (2002/95/EC)
- LABEL INFO.
 - MOLEX
 - <<PART NUMBER>>
 - MADE IN CHINA
 - WW/YY

IPASS™ IS A TRADEMARK OF MOLEX.

ADDED P/N 2129 EC NO: USY2011-0007 DRWN: JERWIN 2009/09/02 CHKD: BSCHOSTER 2010/07/14 APPR: DDOYE 2010/08/02 N	QUALITY SYMBOLS ▽=0 ▽=0	GENERAL TOLERANCES (UNLESS SPECIFIED)		DIMENSION STYLE	SCALE	DESIGN UNITS	THIRD ANGLE PROJECTION IPASS (MINI-SAS) INTERNAL CABLE 36 CKT 4X W/ SIDEBANDS MOLEX INCORPORATED
				MM/IN	1:1	METRIC	
				DRAWN BY	DATE	TITLE	
				JERWIN	2006/04/25	IPASS (MINI-SAS) INTERNAL CABLE 36 CKT 4X W/ SIDEBANDS	
		DRAFT WHERE APPLICABLE MUST REMAIN WITHIN DIMENSIONS		CHECKED BY	DATE	MATERIAL NO.	
				THALL	2006/04/25	SEE TABLE	
				APPROVED BY	DATE	DOCUMENT NO.	
				DDOYE	2006/04/25	SD-79576-200	
				ANGULAR ± 1°		SHEET NO.	
				SIZE B		1 OF 4	
				THIS DRAWING CONTAINS INFORMATION THAT IS PROPRIETARY TO MOLEX INCORPORATED AND SHOULD NOT BE USED WITHOUT WRITTEN PERMISSION			



C
O
N
T
R
O
L
L
E
R

B
A
C
K
P
L
A
N
E

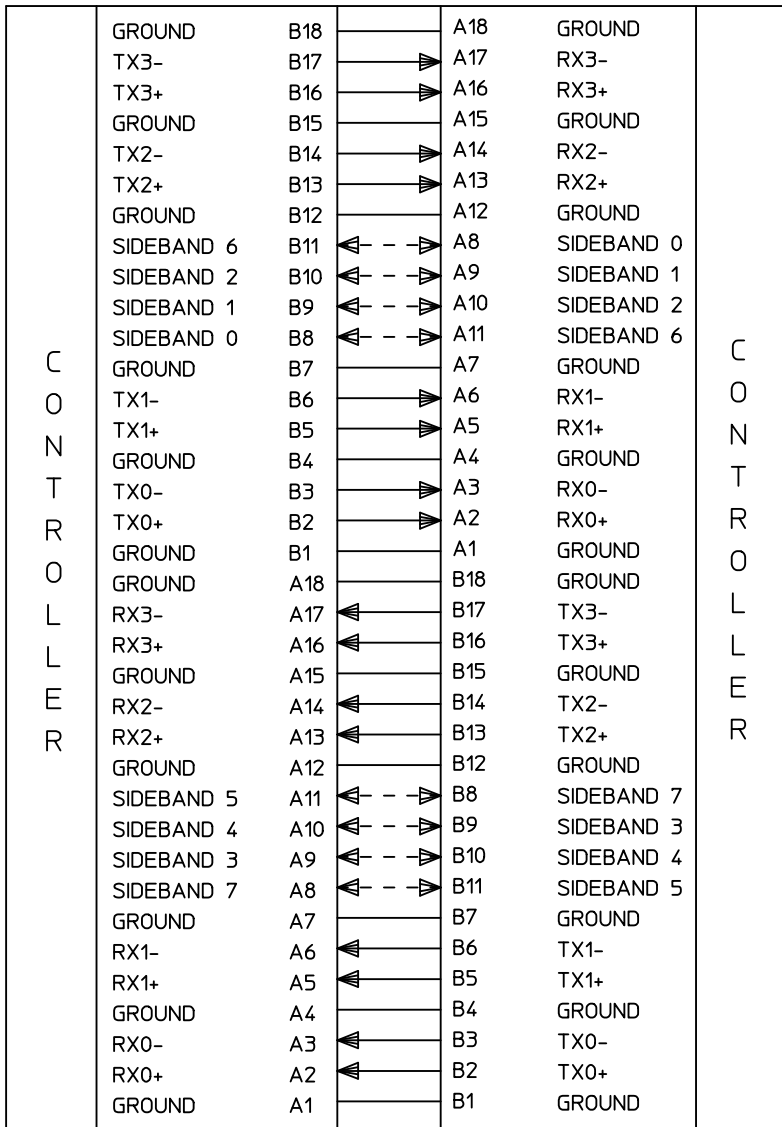
P
I
N
O
U
T
1

NOTE:

1. PINOUT CONFORMS TO SAS 1.1 9.0D SECTION 5.2.4.1.2.3
2. ALL SIGNAL GROUNDS ARE BUSSED IN PCB.

IPASS™ IS A TRADEMARK OF MOLEX

ADDED P/N 2429 EC NO: USY2011-0007 DRWN: JERWIN 2009/09/02 CHKD: BSCHOESTER 2010/07/14 APPR: DDOYE 2010/08/02 DESCRIPTION N REV	QUALITY SYMBOLS	GENERAL TOLERANCES (UNLESS SPECIFIED)	DIMENSION STYLE	SCALE	DESIGN UNITS	THIRD ANGLE PROJECTION																																
	=0 =0	<table border="1"> <thead> <tr><th></th><th>mm</th><th>INCH</th></tr> </thead> <tbody> <tr><td>4 PLACES</td><td>± ---</td><td>± ---</td></tr> <tr><td>3 PLACES</td><td>± ---</td><td>± .01</td></tr> <tr><td>2 PLACES</td><td>± 0.25</td><td>± ---</td></tr> <tr><td>1 PLACE</td><td>± ---</td><td>± ---</td></tr> </tbody> </table>		mm	INCH	4 PLACES	± ---	± ---	3 PLACES	± ---	± .01	2 PLACES	± 0.25	± ---	1 PLACE	± ---	± ---	MM/IN	1:1	METRIC																		
		mm	INCH																																			
	4 PLACES	± ---	± ---																																			
3 PLACES	± ---	± .01																																				
2 PLACES	± 0.25	± ---																																				
1 PLACE	± ---	± ---																																				
<table border="1"> <thead> <tr><th></th><th>mm</th><th>INCH</th></tr> </thead> <tbody> <tr><td>4 PLACES</td><td>± ---</td><td>± ---</td></tr> <tr><td>3 PLACES</td><td>± ---</td><td>± .01</td></tr> <tr><td>2 PLACES</td><td>± 0.25</td><td>± ---</td></tr> <tr><td>1 PLACE</td><td>± ---</td><td>± ---</td></tr> </tbody> </table>		mm	INCH	4 PLACES	± ---	± ---	3 PLACES	± ---	± .01	2 PLACES	± 0.25	± ---	1 PLACE	± ---	± ---	<table border="1"> <tr><td>DRAWN BY</td><td>DATE</td><td>TITLE</td></tr> <tr><td>JERWIN</td><td>2006/04/25</td><td rowspan="2">IPASS™ (MINI-SAS) INTERNAL CABLE 36 CKT 4X W/ SIDEBANDS</td></tr> <tr><td>CHECKED BY</td><td>DATE</td></tr> <tr><td>THALL</td><td>2006/04/25</td></tr> <tr><td>APPROVED BY</td><td>DATE</td><td rowspan="2"> MOLEX INCORPORATED </td></tr> <tr><td>DDOYE</td><td>2006/04/25</td></tr> </table>	DRAWN BY	DATE	TITLE	JERWIN	2006/04/25	IPASS™ (MINI-SAS) INTERNAL CABLE 36 CKT 4X W/ SIDEBANDS	CHECKED BY	DATE	THALL	2006/04/25	APPROVED BY	DATE	MOLEX INCORPORATED	DDOYE	2006/04/25	<table border="1"> <tr><td>MATERIAL NO.</td><td>DOCUMENT NO.</td><td>SHEET NO.</td></tr> <tr><td>SEE CHART</td><td>SD-79576-200</td><td>2 OF 4</td></tr> </table>	MATERIAL NO.	DOCUMENT NO.	SHEET NO.	SEE CHART	SD-79576-200	2 OF 4
	mm	INCH																																				
4 PLACES	± ---	± ---																																				
3 PLACES	± ---	± .01																																				
2 PLACES	± 0.25	± ---																																				
1 PLACE	± ---	± ---																																				
DRAWN BY	DATE	TITLE																																				
JERWIN	2006/04/25	IPASS™ (MINI-SAS) INTERNAL CABLE 36 CKT 4X W/ SIDEBANDS																																				
CHECKED BY	DATE																																					
THALL	2006/04/25																																					
APPROVED BY	DATE	MOLEX INCORPORATED																																				
DDOYE	2006/04/25																																					
MATERIAL NO.	DOCUMENT NO.	SHEET NO.																																				
SEE CHART	SD-79576-200	2 OF 4																																				
DRAFT WHERE APPLICABLE MUST REMAIN WITHIN DIMENSIONS		ANGULAR ± 1 °	THIS DRAWING CONTAINS INFORMATION THAT IS PROPRIETARY TO MOLEX INCORPORATED AND SHOULD NOT BE USED WITHOUT WRITTEN PERMISSION																																			



NOTE

- 1. FOR CONTROLLER TO CONTROLLER.
- 2. ALL SIGNAL GROUNDS ARE BUSSED IN PCB.

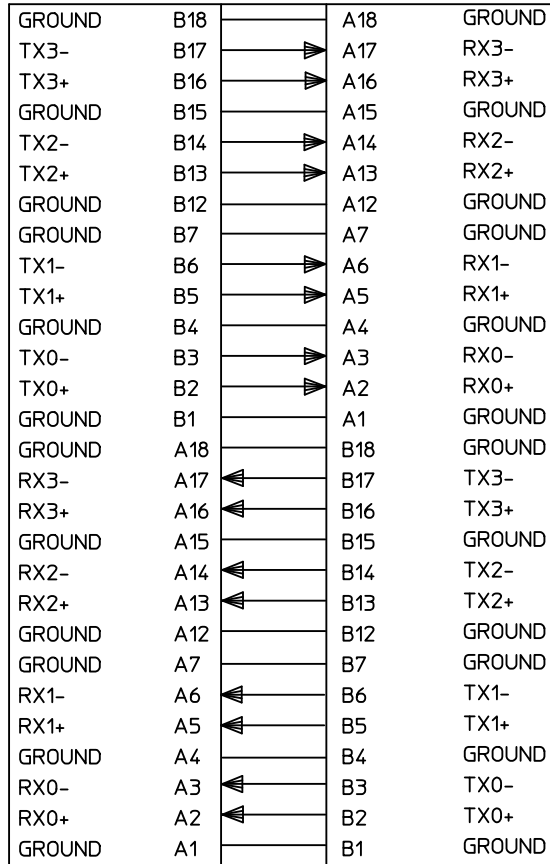
P I N O U T 2

C O N T R O L L E R

C O N T R O L L E R

IPASS™ IS A TRADEMARK OF MOLEX

ADDED P/N 2129 EC NO: USY2011-0007 DRWN: JERWIN 2009/09/02 CHKD: BSCHOSTER 2010/07/14 APPR: DDOYE 2010/08/02 DESCRIPTION	QUALITY SYMBOLS	GENERAL TOLERANCES (UNLESS SPECIFIED)		DIMENSION STYLE	SCALE	DESIGN UNITS	THIRD ANGLE PROJECTION
	=0 =0	mm	INCH	MM/IN	1:1	METRIC	
		4 PLACES ± ---	± ---	DRAWN BY DATE	TITLE		
		3 PLACES ± ---	± .01	JERWIN 2006/04/25			
	2 PLACES ± 0.25	± ---	CHECKED BY DATE	IPASS (MINI-SAS) INTERNAL CABLE 36 CKT 4X W/ SIDEBANDS			
	1 PLACE ± ---	± ---	THALL 2006/04/25				
		ANGULAR ± 1 °	APPROVED BY DATE	MOLEX INCORPORATED			
			DDOYE 2006/04/25				
		DRAFT WHERE APPLICABLE MUST REMAIN WITHIN DIMENSIONS	MATERIAL NO.	DOCUMENT NO.	SHEET NO.		
			SEE CHART	SD-79576-200	3 OF 4		
			SIZE A	THIS DRAWING CONTAINS INFORMATION THAT IS PROPRIETARY TO MOLEX INCORPORATED AND SHOULD NOT BE USED WITHOUT WRITTEN PERMISSION			



P I N O U T 3

NOTE

1. FOR NO SIDE BANDS
2. ALL SIGNAL GROUNDS ARE BUSSED IN PCB.

IPASS™ IS A TRADEMARK OF MOLEX

ADDED P/N 2129 EC NO: USY2011-0007 DRWN: JERWIN 2009/09/02 CHKD: BSCHOESTER 2010/07/14 APPR: DDOYE 2010/08/02	QUALITY SYMBOLS 	GENERAL TOLERANCES (UNLESS SPECIFIED)		DIMENSION STYLE	SCALE	DESIGN UNITS	THIRD ANGLE PROJECTION		
			mm	INCH	MM/IN	1:1	METRIC		
		4 PLACES	± ---	± ---	DRAWN BY	DATE	TITLE IPASS (MINI-SAS) INTERNAL CABLE 36 CKT 4X W/ SIDEBANDS		
		3 PLACES	± ---	± .01	JERWIN	2006/04/25			
2 PLACES	± 0.25	± ---	CHECKED BY	DATE	MOLEX INCORPORATED				
1 PLACE	± ---	± ---	THALL	2006/04/25					
		ANGULAR ± 1 °		APPROVED BY	DATE	DOCUMENT NO. SD-79576-200			
		DRAFT WHERE APPLICABLE MUST REMAIN WITHIN DIMENSIONS		DDOYE	2006/04/25				
				MATERIAL NO.	SEE CHART		SHEET NO.		
				SIZE	THIS DRAWING CONTAINS INFORMATION THAT IS PROPRIETARY TO MOLEX INCORPORATED AND SHOULD NOT BE USED WITHOUT WRITTEN PERMISSION		4 OF 4		