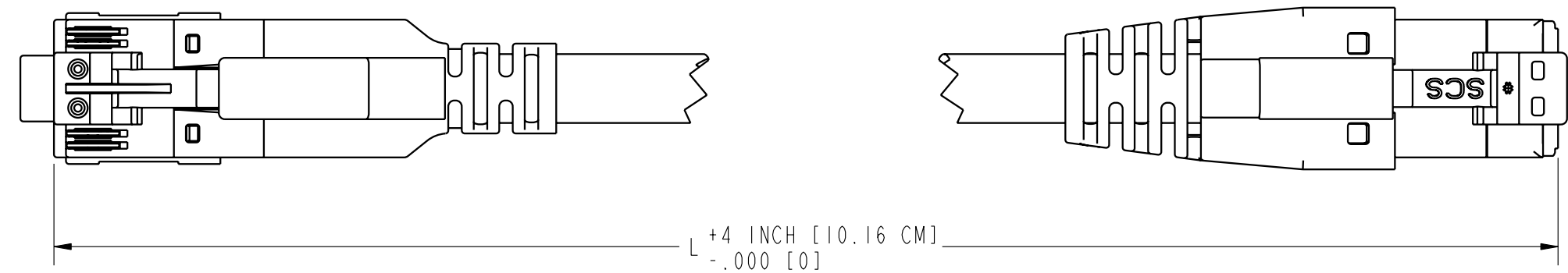


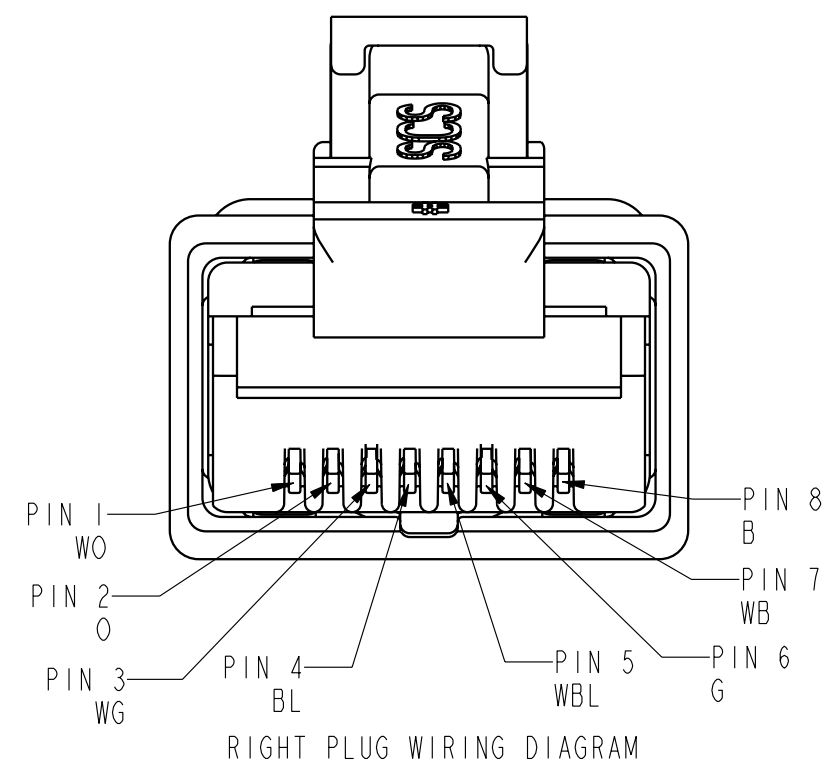
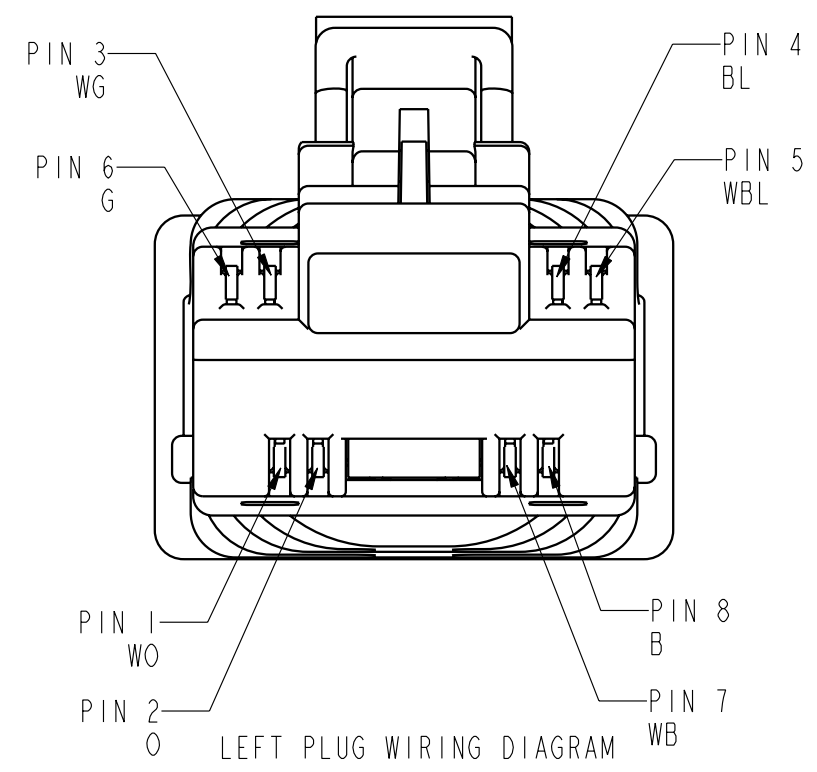
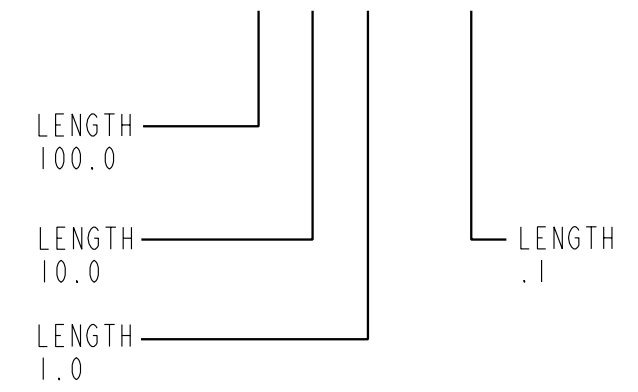
DATE	REV.	ECN	APP'D BY
05/07/07	A0	8041	DHG
2/8/08	A1	8354	DHG
2-4-11	B0	9138	SAW

LEFT PLUG: CAT7

RIGHT PLUG: CAT6A



CA76-XXMX-8



10 METER	CA76-010M0-8
7 METER	CA76-007M0-8
5 METER	CA76-005M0-8
3 METER	CA76-003M0-8
2 METER	CA76-002M0-8
1 METER	CA76-001M0-8
LENGTH	PART NUMBER

B=BROWN	BL=BLUE
WB=WHITE/BROWN	WBL=WHITE/BLUE
G=GREEN	O=ORANGE
WG=WHITE/GREEN	WO=WHITE ORANGE

THIRD ANGLE PROJECTION

DO NOT SCALE DRAWING
DRAWING IS SUBJECT TO CHANGE WITHOUT NOTICE

DIMENSIONS: FEET [METER]

UNLESS OTHERWISE SPECIFIED
TOLERANCES ARE ±.005 [0.13]
ANGLES ARE ±1°

SHEET NO.
1 OF 1

Bel Stewart Connector

1118 Susquehanna Trail South
Glen Rock, PA 17327-9199
(717) 235-7512 Fax: (717) 235-7954 <http://www.stewartconnector.com>

TITLE: ARJ45 HS CAT 7A TO CAT 6A STANDARD LENGTH PATCH CORD ASSEMBLY, METER

DRN BY:	SAW	DATE	12/20/06
APPD BY:	DHG	DATE	12/20/06
DWG. NO.	CTCA76-002	REV.	B0

THIS DRAWING AND THE SUBJECT MATTER SHOWN THEREON ARE CONFIDENTIAL AND THE PROPRIETARY PROPERTY OF BEL STEWART CONNECTOR AND SHALL NOT BE REPRODUCED, COPIED, OR USED IN ANY MANNER WITHOUT PRIOR WRITTEN CONSENT OF BEL STEWART CONNECTOR. THE SUBJECT MATTER MAY BE PATENTED OR A PATENT MAY BE PENDING.