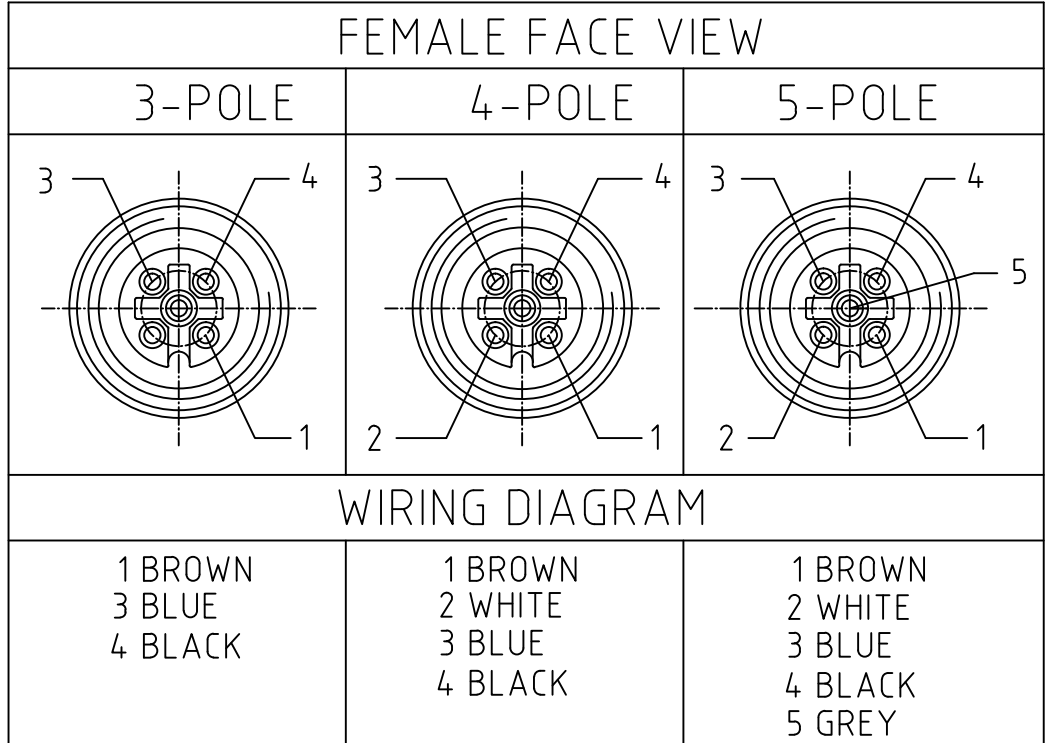
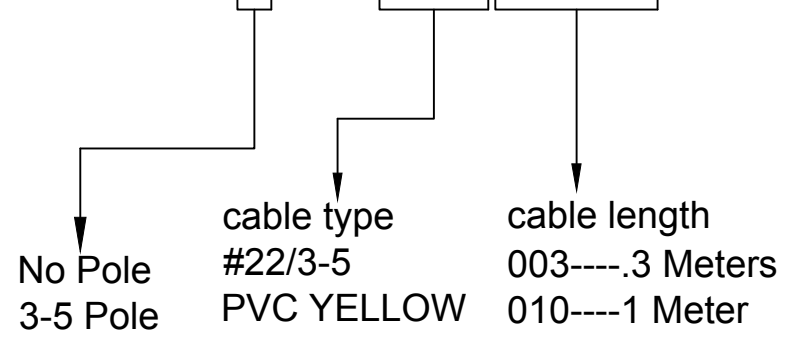


CONNECTOR SPECIFICATION:

VOLTAGE RATING	250 VAC/VDC
AMPERAGE RATING	max. 4 AMPS
PROTECTION	IP67
OPERATING TEMPERATURE	-20°C TO 105°C
UL CERTIFICATIONS	UL RECOGNIZED, FILE NO. E152210
ASSEMBLY IS	RoHS COMPLIANT

COMPONENT	MATERIAL	FINISH
LABEL	MYLAR	BLACK/YELLOW
O-RING	VITON	RED
COUPLER	BRASS	NICKEL PLATED
PIN CONTACT	COPPER ALLOY	GOLD OVER NICKEL
INSERT	NYLON	BLACK
OVERMOLD	PUR	YELLOW
CABLE- 22/3-5 (COPPER STRANDING) 3/4/5 CONDUCT. 300V	JACKET: PVC	JACKET: YELLOW

804000A09M003



ADDED PART NUMBER MATRIX EC NO: IPG2014-0989 DRWN: GGUSTAFS 11/26/13 CHKD: BARDEN APPR: BWOODMAN 2010/01/25	QUALITY SYMBOLS	GENERAL TOLERANCES (UNLESS SPECIFIED)	DIMENSION STYLE	SCALE	DESIGN UNITS	THIRD ANGLE PROJECTION
	$\nabla = 0$ $\nabla C = 0$	4 PLACES ±--- ±--- 3 PLACES ±--- ±.005 2 PLACES ±.13 ±.010 1 PLACE ±.25 ±.020 ANGULAR ± .5 °	IN/MM	NTS	INCH	
			DRAWN BY DATE	MICRO-CHANGE COERDSET		
			CHECKED BY DATE	3/4/5-POL FEMALE STR SE		
			RE 2010/01/20	22/5 YELLOW PVC CABLE		
		APPROVED BY DATE	MOLEX INCORPORATED			
		NSTAUDIG 2010/01/25	SD-120065-026			
		MATERIAL NO.	SEE TABLE SHEET 2			
		SIZE A3	THIS DRAWING CONTAINS INFORMATION THAT IS PROPRIETARY TO MOLEX INCORPORATED AND SHOULD NOT BE USED WITHOUT WRITTEN PERMISSION			
			DOCUMENT NO. SD-120065-026			
			SHEET NO. 1 OF 2			

POL	MATERIAL NUMBER	ENGINEERING NUMBER	FINISHED LENGTH
3	1200650129	803000A09M020	6.56' +3.50" -0 [2.0M +88.9 -0]

POL	MATERIAL NUMBER	ENGINEERING NUMBER	FINISHED LENGTH
4	1200650251	804000A09M003	0.98' +0.75" -0 [0.3M +19.1 -0]
4	1200651508	804000A09M005	1.64' +1.75" -0 [0.5M +44.5 -0]
4	1200650252	804000A09M010	3.28' +2.19" -0 [1.0M +55.6 -0]
4	1200650255	804000A09M020	6.56' +3.50" -0 [2.0M +88.9 -0]
4	1200650259	804000A09M030	9.84' +3.50" -0 [3.0M +88.9 -0]
4	1200650261	804000A09M040	13.12' +6.50" -0 [4.0M +165.1 -0]
4	1200650265	804000A09M050	16.40' +6.50" -0 [5.0M +165.1 -0]
4	1200650268	804000A09M060	19.69' +6.50" -0 [6.0M +165.1 -0]
4	1200650270	804000A09M070	22.97' +6.50" -0 [7.0M +165.1 -0]
4	1200650275	804000A09M080	26.25' +12.50" -0 [8.0M +317.5 -0]
4	1200650276	804000A09M090	29.53' +12.50" -0 [9.0M +317.5 -0]
4	1200650277	804000A09M100	32.81' +12.50" -0 [10.0M +317.5 -0]
4	1200650285	804000A09M150	49.21' +24.50" -0 [15.0M +622.3 -0]
4	1200650289	804000A09M200	65.62' +24.50" -0 [20.0M +622.3 -0]
4	1200650293	804000A09M250	82.02' +24.50" -0 [25.0M +622.3 -0]
4	1200650295	804000A09M300	98.43' +24.50" -0 [30.0M +622.3 -0]

POL	MATERIAL NUMBER	ENGINEERING NUMBER	FINISHED LENGTH
5	1200650471	805000A09M020	6.56' +3.5" -0 (2.0M +89mm -0)
5	1200650476	805000A09M040	13.12' +6.5" -0 (4.0M +165mm -0)
5	1200650479	805000A09M050	16.40' +6.5" -0 (5.0M +165mm -0)
5	1200650483	805000A09M060	19.69' +6.5" -0 (6.0M +165mm -0)
5	1200650487	805000A09M100	32.81' +12.5" -0 (10.0M +318mm -0)

UPDATED FOR PART NUMBER MATRIX EC NO.: IPG2014-0989 DRWN.: GGUSTAFS 11/26/13 CHKD.: BARDEN APPR.: BWOODMAN 2010/01/25	REV	2	DESCRIPTION	QUALITY SYMBOLS	GENERAL TOLERANCES (UNLESS SPECIFIED)	DIMENSION STYLE	SCALE	DESIGN UNITS	THIRD ANGLE PROJECTION																																												
				$\nabla = 0$ $\nabla = 0$	<table border="1"> <thead> <tr> <th></th> <th>mm</th> <th>INCH</th> </tr> </thead> <tbody> <tr><td>4 PLACES</td><td>±.005</td><td>±.0005</td></tr> <tr><td>3 PLACES</td><td>±.010</td><td>±.0010</td></tr> <tr><td>2 PLACES</td><td>±.013</td><td>±.0010</td></tr> <tr><td>1 PLACE</td><td>±.025</td><td>±.0020</td></tr> <tr><td colspan="3">ANGULAR ± .5°</td></tr> </tbody> </table>		mm	INCH	4 PLACES	±.005	±.0005	3 PLACES	±.010	±.0010	2 PLACES	±.013	±.0010	1 PLACE	±.025	±.0020	ANGULAR ± .5°			<table border="1"> <thead> <tr><th colspan="2">IN/MM</th></tr> </thead> <tbody> <tr><td>DRAWN BY</td><td>DATE</td></tr> <tr><td>CHECKED BY</td><td>DATE</td></tr> <tr><td>RE</td><td>2010/01/20</td></tr> <tr><td>APPROVED BY</td><td>DATE</td></tr> <tr><td>NSTAUDIG</td><td>2010/01/25</td></tr> <tr><td>MATERIAL NO.</td><td></td></tr> <tr><td colspan="2">SEE TABLE</td></tr> <tr><td>SIZE</td><td>A3</td></tr> </tbody> </table>	IN/MM		DRAWN BY	DATE	CHECKED BY	DATE	RE	2010/01/20	APPROVED BY	DATE	NSTAUDIG	2010/01/25	MATERIAL NO.		SEE TABLE		SIZE	A3	<table border="1"> <thead> <tr><th colspan="2">NTS</th></tr> </thead> <tbody> <tr><td colspan="2">MICRO-CHANGE COERDSET 3/4/5-POL FEMALE STR SE 22/5 YELLOW PVC CABLE</td></tr> <tr><td colspan="2">MOLEX INCORPORATED</td></tr> <tr><td>DOCUMENT NO.</td><td>SHEET NO.</td></tr> <tr><td>SD-120065-026</td><td>2 OF 2</td></tr> </tbody> </table>	NTS		MICRO-CHANGE COERDSET 3/4/5-POL FEMALE STR SE 22/5 YELLOW PVC CABLE		MOLEX INCORPORATED		DOCUMENT NO.	SHEET NO.	SD-120065-026	2 OF 2
		mm	INCH																																																		
	4 PLACES	±.005	±.0005																																																		
	3 PLACES	±.010	±.0010																																																		
2 PLACES	±.013	±.0010																																																			
1 PLACE	±.025	±.0020																																																			
ANGULAR ± .5°																																																					
IN/MM																																																					
DRAWN BY	DATE																																																				
CHECKED BY	DATE																																																				
RE	2010/01/20																																																				
APPROVED BY	DATE																																																				
NSTAUDIG	2010/01/25																																																				
MATERIAL NO.																																																					
SEE TABLE																																																					
SIZE	A3																																																				
NTS																																																					
MICRO-CHANGE COERDSET 3/4/5-POL FEMALE STR SE 22/5 YELLOW PVC CABLE																																																					
MOLEX INCORPORATED																																																					
DOCUMENT NO.	SHEET NO.																																																				
SD-120065-026	2 OF 2																																																				