

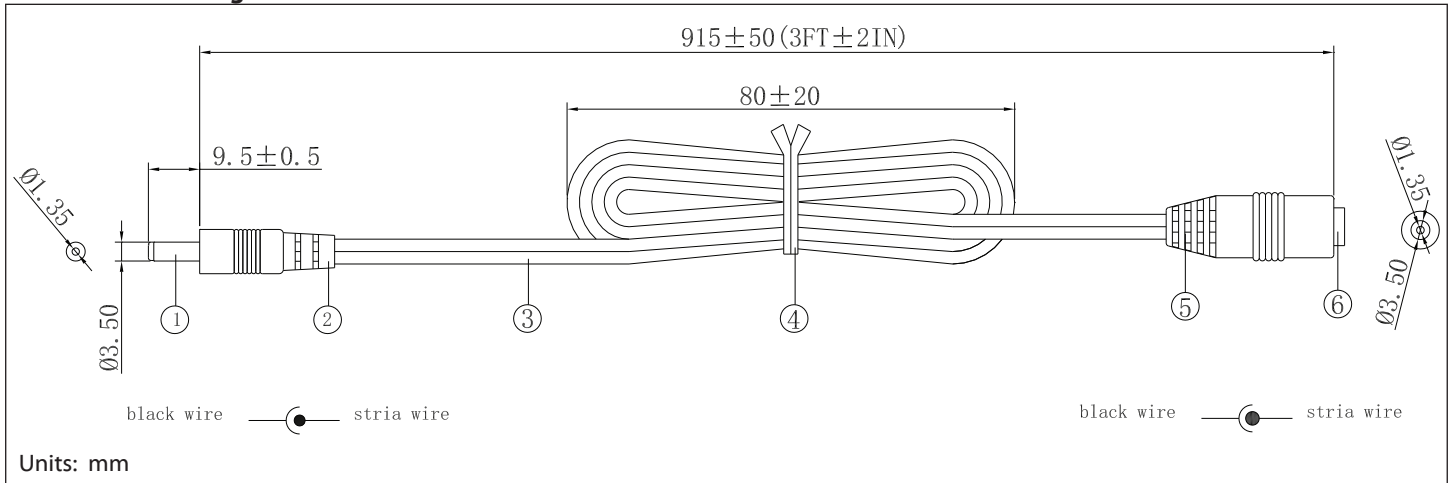
**Specifications:**

connector description (1)	dc plug, 3.5x1.35xL22 mm, brass nickel plated, P/N 50-00116
overmold (2,5)	30P, PVC, black
connector description (6)	dc jack, 3.5x1.35xL15 mm, molding style, P/N 50-00117
wire description (3)	2C, 24 AWG, UL2468, 300V, 80C, 3.6 mm, VW-1, PVC, 65P, P/N 30-00003
cable outer diameter	Ø3.6 mm
cable color	black
cable length	915 ± 50 mm
twist tie (4)	black
rating	500 mA, 36 Vdc

**Notes:**

Function test: no open, no reversed polarity, no short circuit, no INT  
 RoHS compliant  
 Hi-Pot test: 600 Vac, 0.5 mA, 1 second

**Mechanical drawing:**



**tolerance X:  $\pm 0.5$  mm .X:  $\pm 0.3$  mm .XX:  $\pm 0.05$  mm**  
 applicable unless otherwise indicated in specification or on drawings  
 Tensility International Corporation reserves the right to substitute parts which are functionally equivalent to the ones specified.

<b>Initial</b>	<b>Date</b>
----------------	-------------

**Revision notes:**

Rev	Date	Description
A	January 19, 2009	Re-issued; original specification issued by CUI, re-issued by Tensility without any material or mechanical changes.
A1	August 31, 2011	updated description, connector, and wire information
A2	August 6, 2012	updated connector 50-00117 overall length

**Specification Approval**

Spec sign-off verifies that you have reviewed the entire specification, tested a sample of the product, and confirm that it meets your requirements. This specification reflects the part as it will be ordered. Orders will not be processed until the specification pages have been initialed and the approval page has been signed. This specification is confidential and is not to be transmitted without prior approval from Tensility.

Signature \_\_\_\_\_ Title \_\_\_\_\_  
 Name \_\_\_\_\_ Date \_\_\_\_\_  
 Company \_\_\_\_\_ Branch \_\_\_\_\_