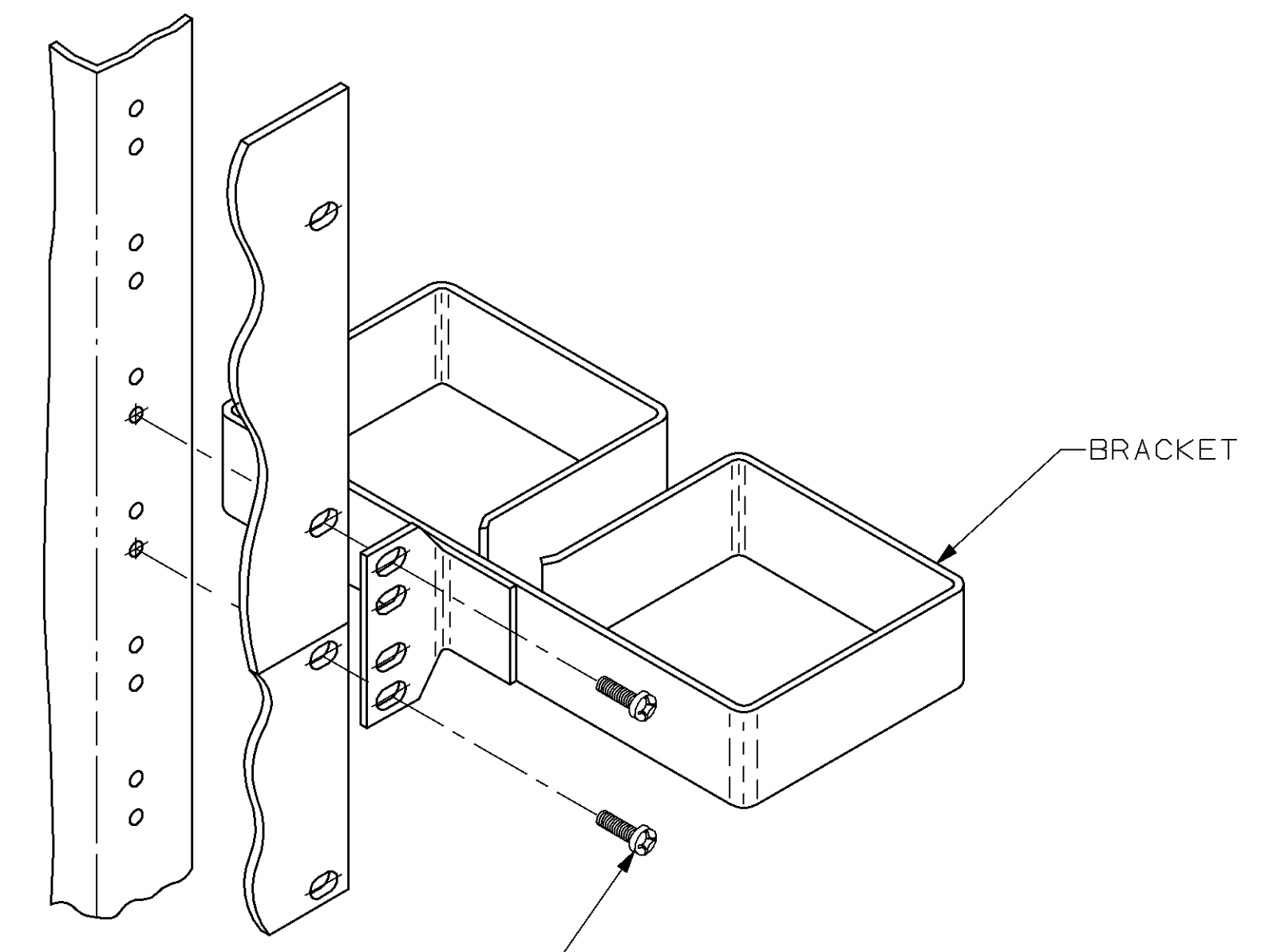
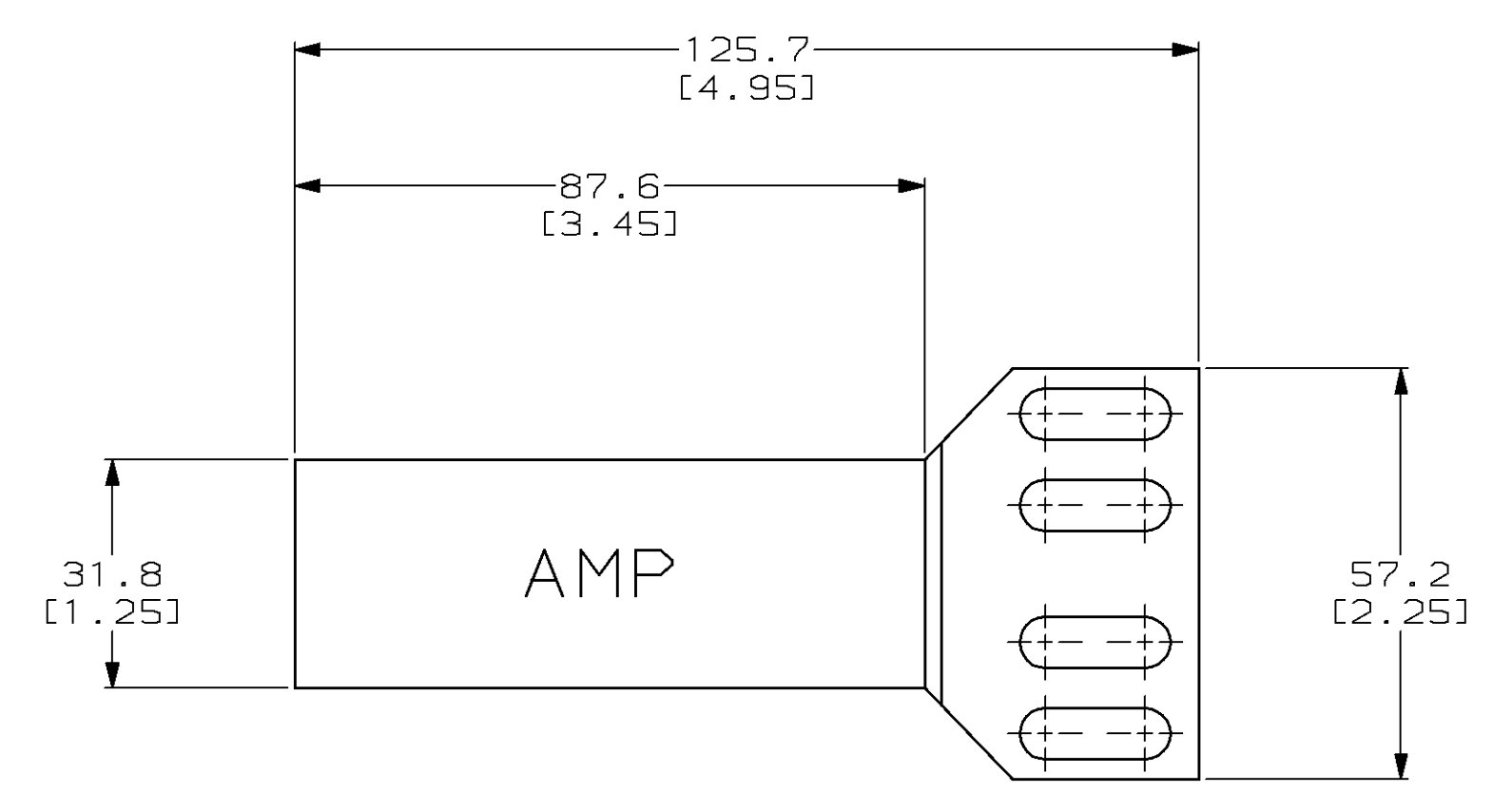
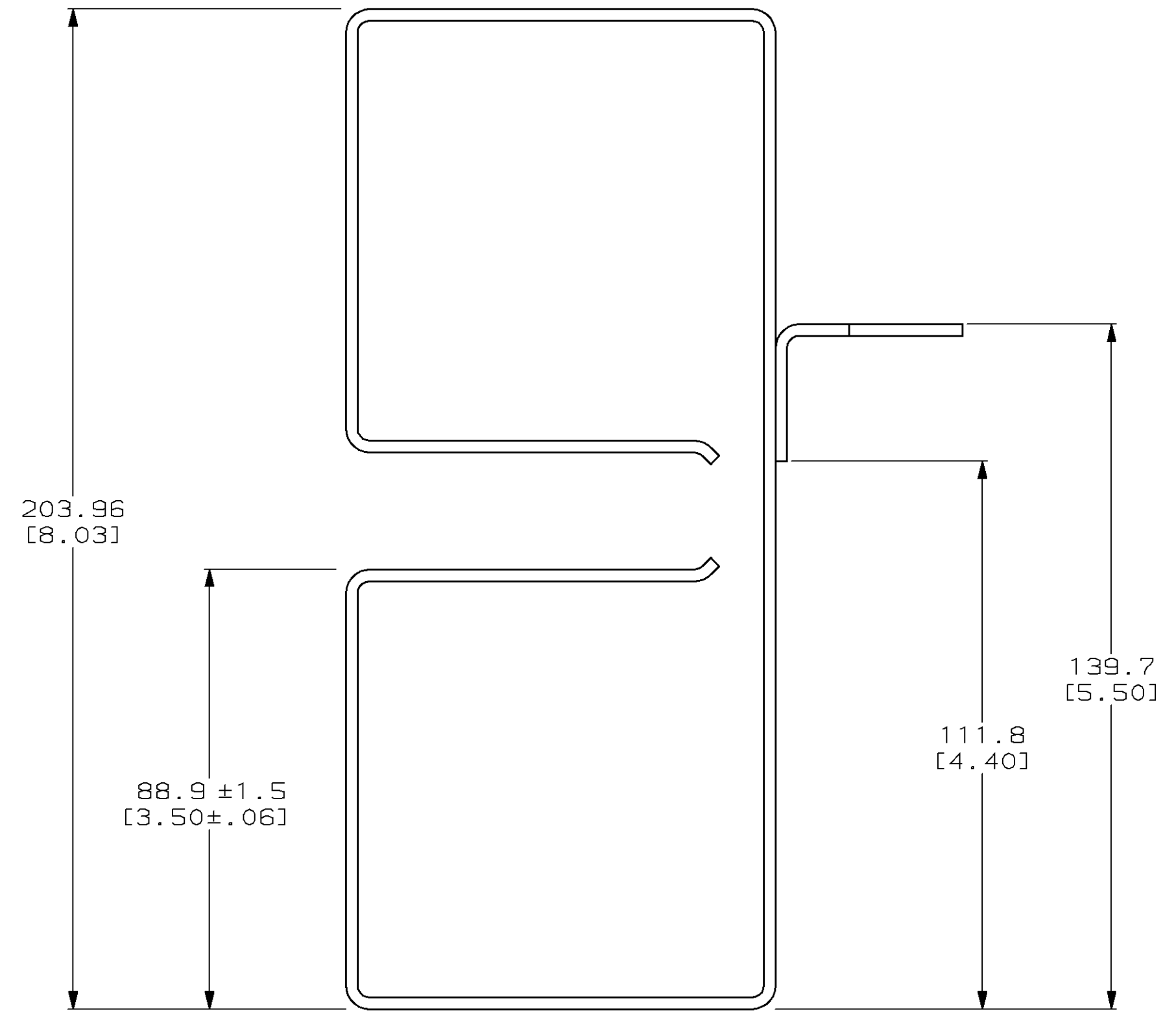


LOC	DIST	REVISIONS			
P	LTR	DESCRIPTION	DATE	DMN	APVD
AA	28	A	REV; EC 0502-0244-97	15MAY97	DS JB

⚠ DIMENSIONS MAXIMUM UNLESS OTHERWISE SPECIFIED.  
 ⚠ MATERIAL: BRACKET - BLACK PAINTED CARBON STEEL.  
 SCREWS - BLACK CARBON STEEL.



CROSS RECESSED PAN HEAD SCREW  
 12-24 X 12.7 [ .50 ]  
 QUANTITY 2  
 OR  
 CROSS RECESSED SCREW  
 10-32 X 12.7 [ .50 ]  
 QUANTITY 2

MAY BE INSTALLED DIRECTLY TO RACK OR OVER PANELS

406499-1  
 PART NUMBER

<small>THIS DRAWING IS A CONTROLLED DOCUMENT FOR AMP INCORPORATED. IT IS SUBJECT TO CHANGE AND THE CONTROLLING ENGINEERING DEPARTMENT SHOULD BE CONTACTED FOR THE LATEST REVISION.</small>		DMN DL DRUMMOND 10 FEB 97 CHK DL DRUMMOND 17 FEB 97 APVD J DRUMMOND 24 FEB 97	<b>AMP</b> AMP Incorporated Harrisburg, PA 17105-3508
DIMENSIONS: mm [ INCHES ]	TOLERANCES UNLESS OTHERWISE SPECIFIED: 0 PLC ± .1 1 PLC ± .1 2 PLC ± .1 3 PLC ± 0.13 [ .005 ] 4 PLC ± .1 ANGLES ± .1	PRODUCT SPEC APPLICATION SPEC WEIGHT	NAME MANAGEMENT RING KIT, DOUBLE, VERTICAL SIZE A1 CAGE CODE 00779 DRAWING NO C-406498
MATERIAL ⚠	FINISH ⚠	CUSTOMER DRAWING	SCALE 1:1 SHEET 1 OF 1 REV A