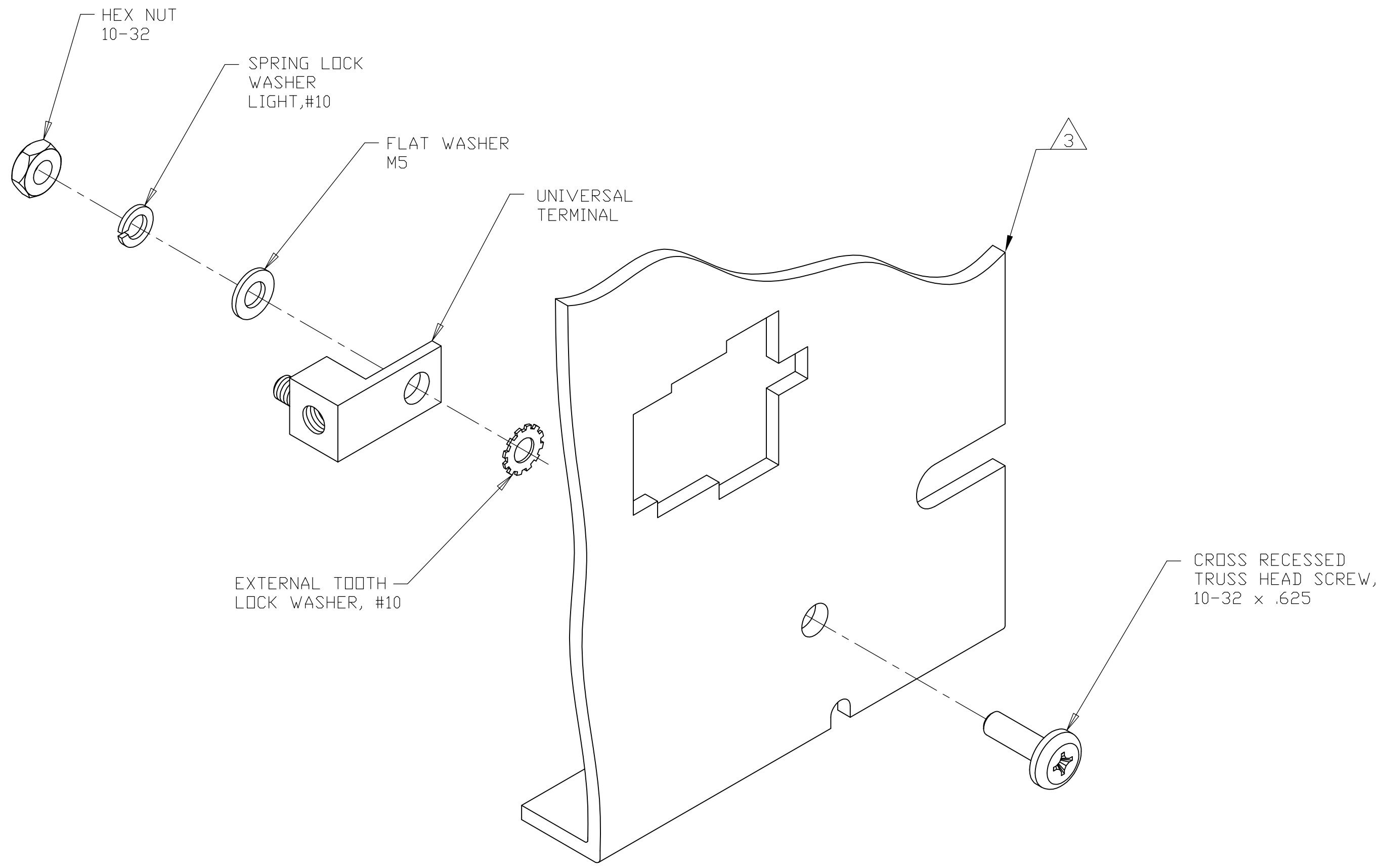


THIS DRAWING IS UNPUBLISHED. RELEASED FOR PUBLICATION
 © COPYRIGHT BY TYCO ELECTRONICS CORPORATION. ALL INTERNATIONAL RIGHTS RESERVED.

LOC	DIST	REVISIONS			
P	LTR	DESCRIPTION	DATE	DWN	APVD
HM	00	A	REV ECO-11-001202	20JAN2011	LH SH



- 1 MATERIALS:
 TERMINAL-CLEAR PLATED ALUMINUM ALLOY
 EXTERNAL TOOTH LOCK WASHER-STAINLESS STEEL.
 FLAT WASHER-BLACK OXIDE CARBON STEEL.
 HEX NUT, SPRING LOCK WASHER, AND TRUSS.
 HEAD SCREW-ZINC PLATED CARBON STEEL.
- 2. THIS KIT SHIPPED NOT ASSEMBLED,
 1 PER POLYBAG, 25 PER BOX.
- 3 PANEL SHOWN FOR REFERENCE ONLY.
- 4. ONE OF EACH COMPONENT REQUIRED PER KIT.

556438-1
 PART NO

THIS DRAWING IS A CONTROLLED DOCUMENT.		DWN L. HALL 18JAN2011	Tyco Electronics Corporation Harrisburg, PA 17105-3608	
DIMENSIONS: INCHES		CHK S. HERNDON 19JAN2011		
TOLERANCES UNLESS OTHERWISE SPECIFIED:		APVD S. HERNDON 19JAN2011	NAME	
0 PLC ± - 1 PLC ± - 2 PLC ± - 3 PLC ± - 4 PLC ± - ANGLES ± -		PRODUCT SPEC	HARDWARE KIT, ISOLATED GROUND, DISTRIBUTION PANEL, UNIVERSAL DATA CONNECTOR	
MATERIAL		WEIGHT	SIZE A2	CAGE CODE 00779
FINISH		CUSTOMER DRAWING	DRAWING NO C=556438	RESTRICTED TO
		SCALE 1:1	SHEET 1 of 1	REV A

556438