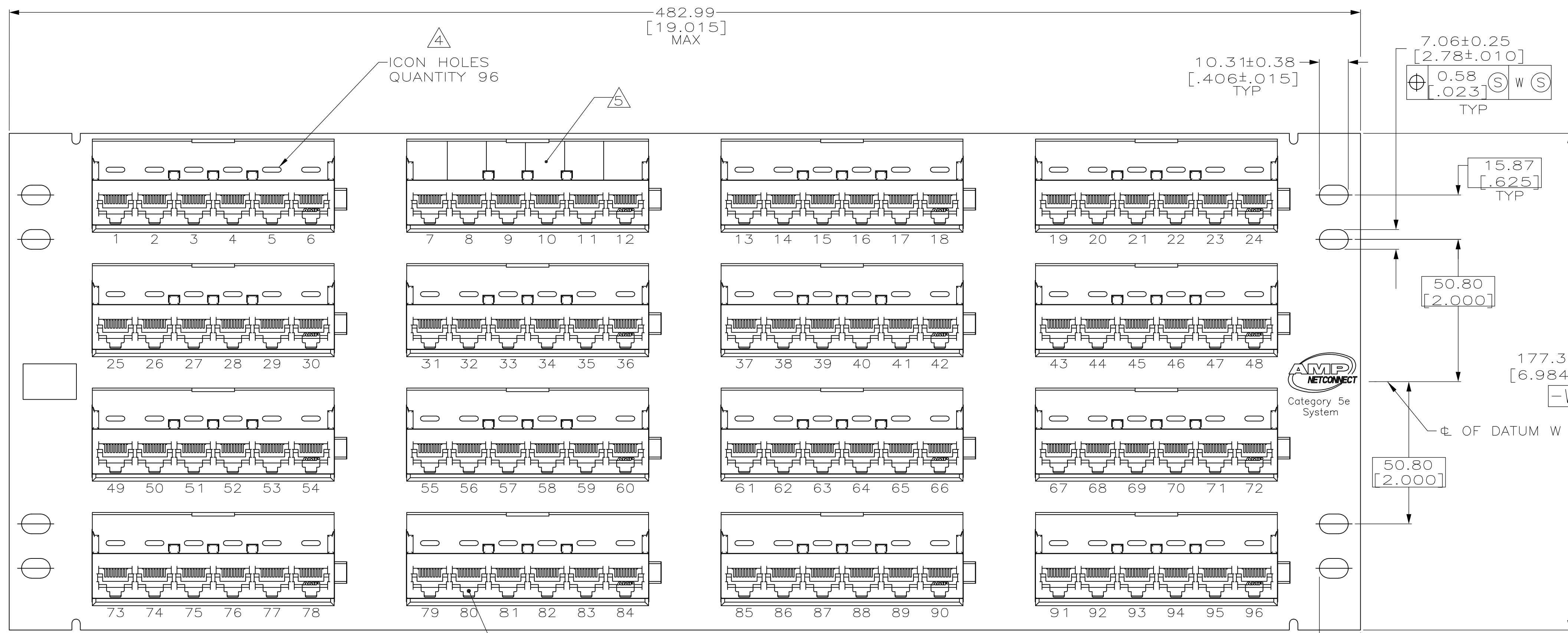
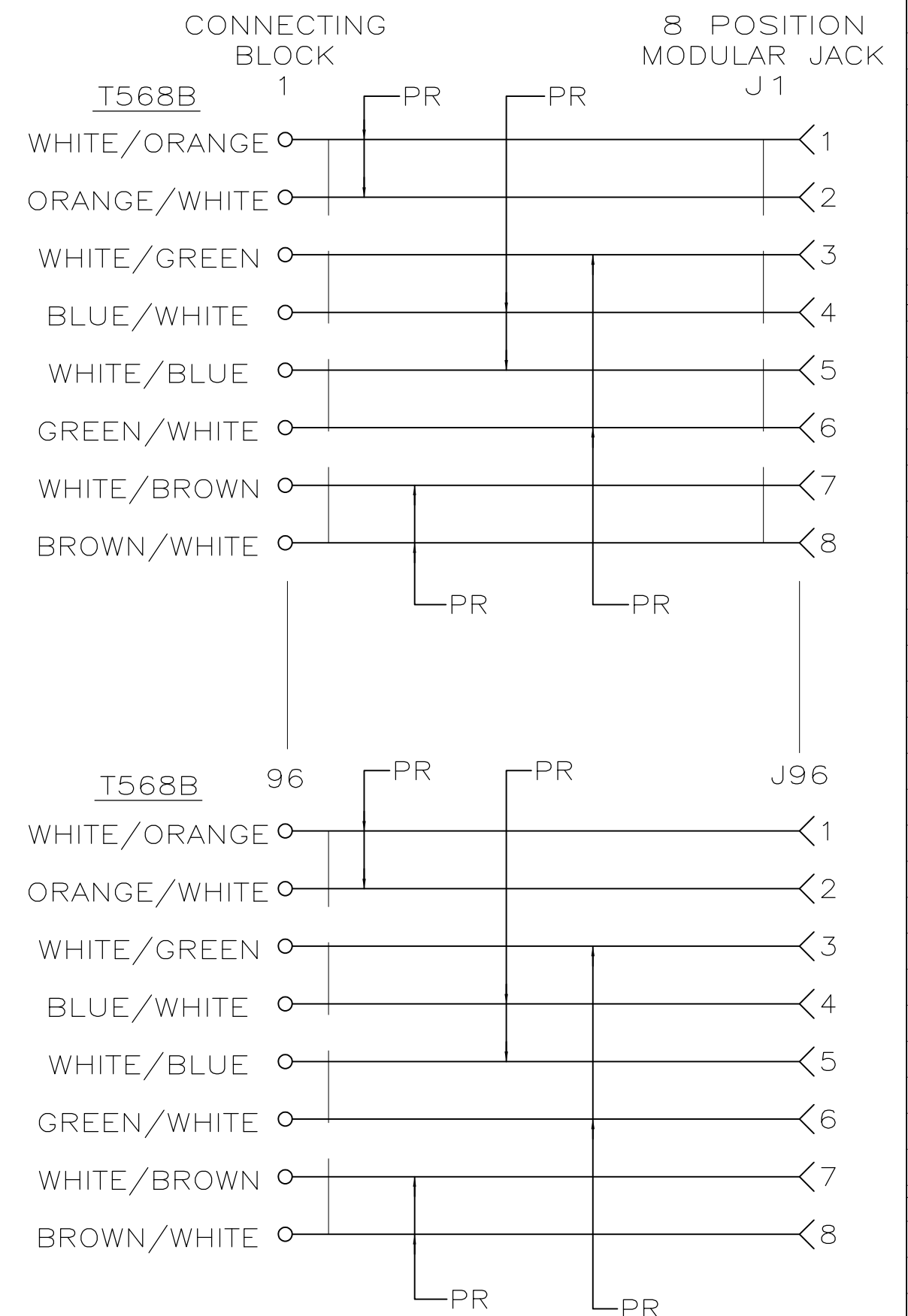


LOC		DIST		REVISIONS			
HM	00	REV	DESCRIPTION	DATE	BY	CHK	APPV
		D	REDWN & REV; EC 0B40-0178-00	14AUG00	LH	SH	
		E	REV EC0-08-012437	30MAY08	LDS	SH	

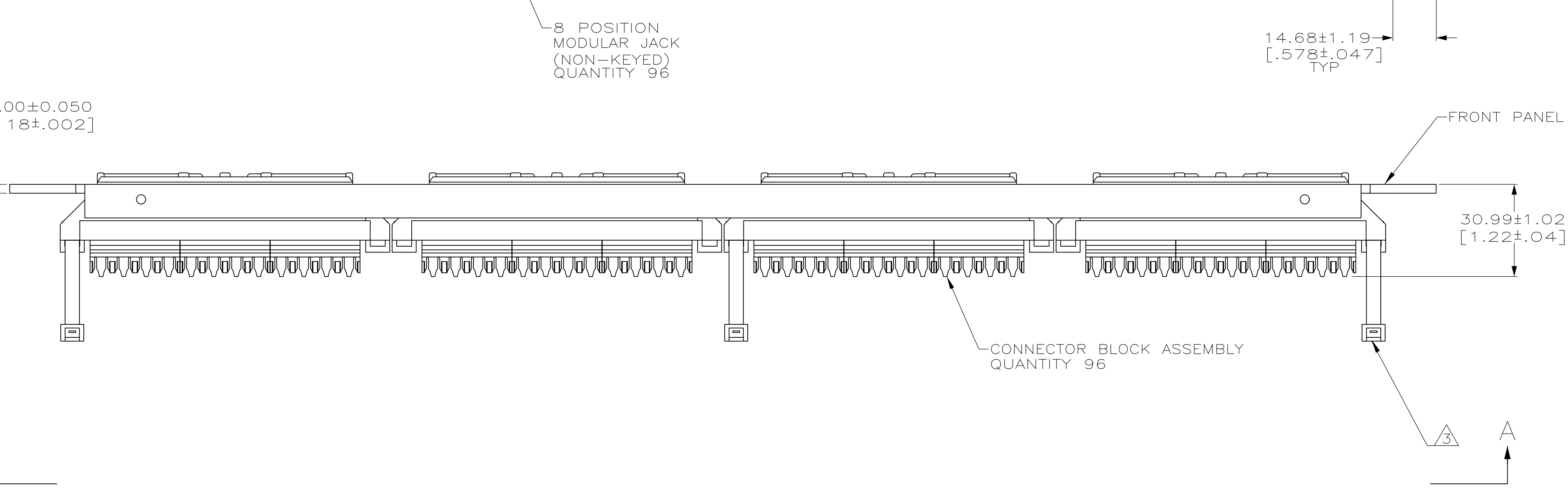
- 1. MATERIAL: PANEL - BLACK POWDER COAT ALUMINUM WITH WHITE MARKINGS.
 PRINTED CIRCUIT BOARD - LAMINATED PLASTIC SUBSTRATE, 1.57[.062] THICK.
- 2. MOUNTING HARDWARE INCLUDED EACH ASSEMBLY:
 FOUR, 10-32X50 TRILOBULAR SCREWS W/CAPTIVE STARWASHER.
 FOUR, 12-24X50 TRILOBULAR SCREWS W/CAPTIVE STARWASHER.
- 3. TWELVE RELEASEABLE CABLE TIES, SHOWN ASSEMBLED, USED FOR CABLE ORGANIZATION/ROUTING ARE SHIPPED LOOSE.
- 4. ICONS MAY BE PURCHASED SEPARATELY.
- 5. ONE SHEET OF BEZEL LABELS AND FOUR SHEETS OF CLEAR LABEL COVERS ARE SHIPPED LOOSE. ONE LABEL SHOWN INSTALLED AT LOCATION INDICATED.
- 6. FOUR SHEETS OF FOUR 110 CONNECTOR UNIVERSAL WIRING LABELS ARE SHIPPED LOOSE. ONE SIDE IS FOR T568A WIRING AND THE OPPOSITE SIDE FOR T568B WIRING. ONE LABEL SHOWN INSTALLED AT LOCATION INDICATED.



- T568A**
- WHITE/GREEN
 - GREEN/WHITE
 - WHITE/ORANGE
 - BLUE/WHITE
 - WHITE/BLUE
 - ORANGE/WHITE
 - WHITE/BROWN
 - BROWN/WHITE

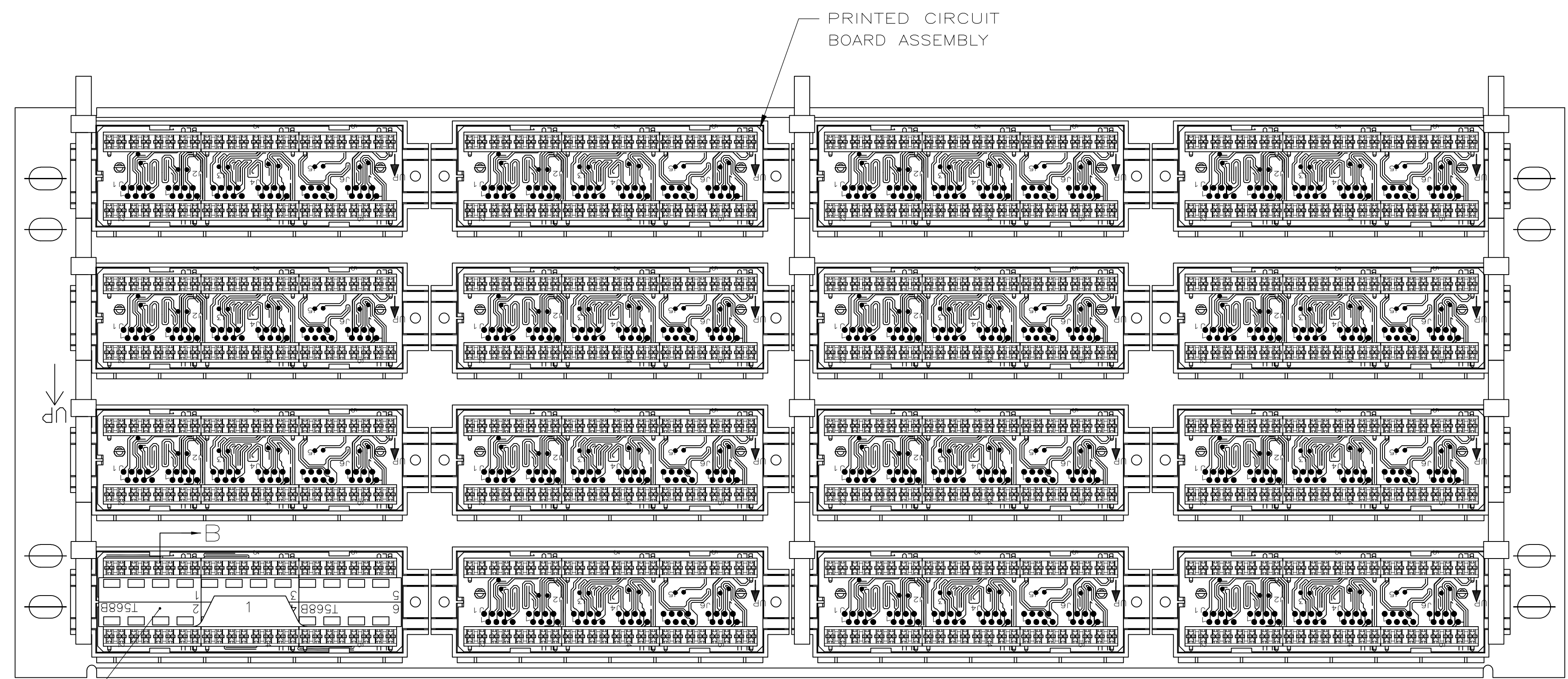


ELECTRICAL SCHEMATIC
 T568A OR T568B

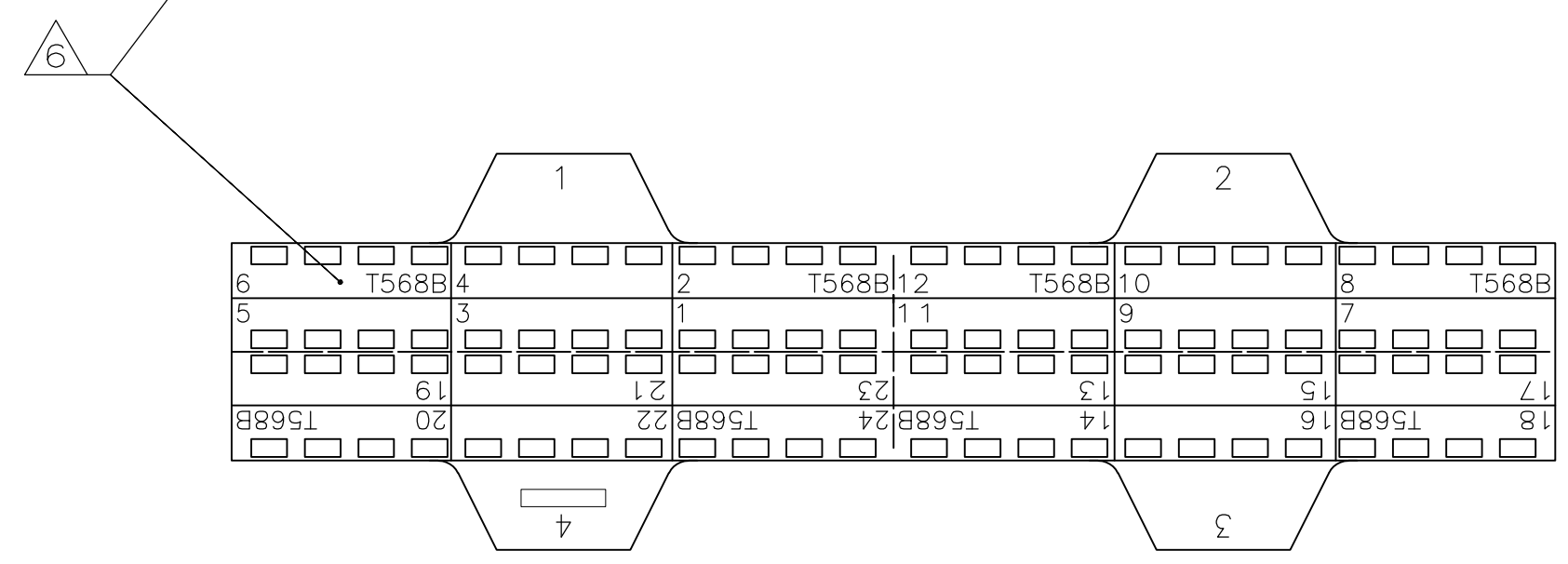


406332-1
 PART NUMBER

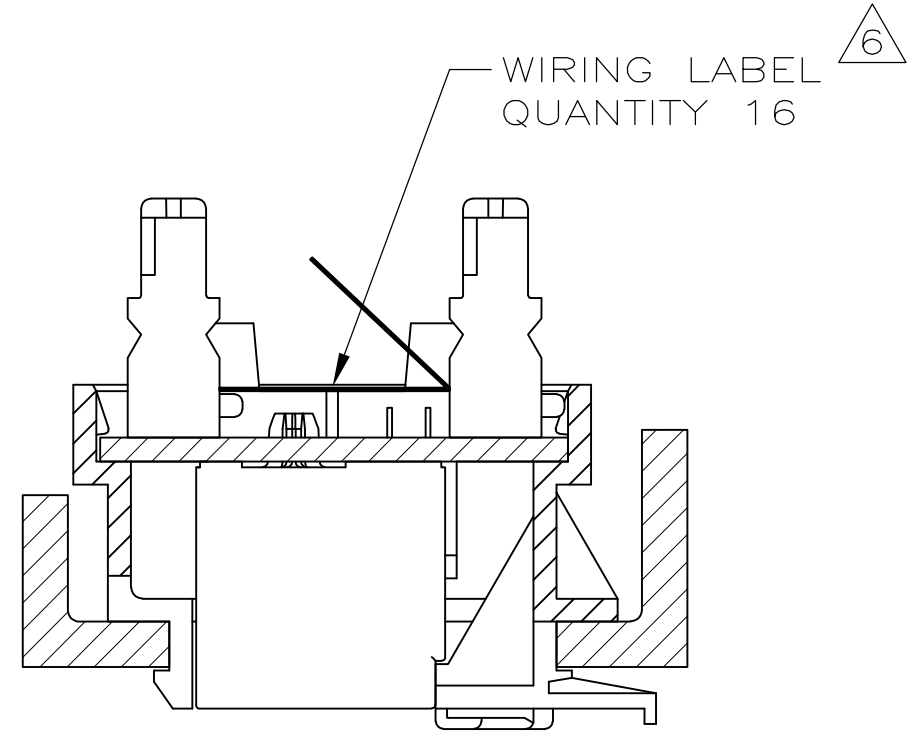
THIS DRAWING IS A CONTROLLED DOCUMENT.		DWN L HALL 14AUG00	Tyco Electronics Corporation Harrisburg, PA 17105-3608
DIMENSIONS: mm [INCHES]		CHK S HERNDON 14AUG00	
TOLERANCES UNLESS OTHERWISE SPECIFIED:		APPV S HERNDON 14AUG00	NAME PANEL ASSEMBLY, 96 PORT, RJ45, UNIVERSAL WIRING, CATEGORY 5, ENHANCED
0. PLC ±		PRODUCT SPEC	
1. PLC ±		APPLICATION SPEC	SIZE CAGE CODE DRAWING NO RESTRICTED TO
2. PLC ±		WEIGHT	A1 00779 ©=406332
3. PLC ±		CUSTOMER DRAWING	SCALE 1:1 SHEET 1 OF 2 REV E
4. PLC ±			
ANGLES ±			
FINISH			



VIEW A-A



T568B SIDE
110 CONNECTOR UNIVERSAL
WIRING LABELS



SECTION B-B
ROTATED 90° CCW
SCALE 2:1

THIS DRAWING IS A CONTROLLED DOCUMENT.		DWN L. HALL 14AUG00	Tyco Electronics Corporation Harrisburg, PA 17105-3608
DIMENSIONS: mm [INCHES]		CHK S. HERNDON 14AUG00	
TOLERANCES UNLESS OTHERWISE SPECIFIED:		NAME S. HERNDON 14AUG00	PRODUCT SPEC APPLICATION SPEC
<ul style="list-style-type: none"> 0. PLC ± - 1. PLC ± - 2. PLC ± - 3. PLC ± - 4. PLC ± - ANGLES ± - FINISH 		SIZE A1	RESTRICTED TO
MATERIAL		CAGE CODE 00779	DRAWING NO. C=406332
		WEIGHT -	SCALE 1:1
		CUSTOMER DRAWING	SHEET 2 OF 2