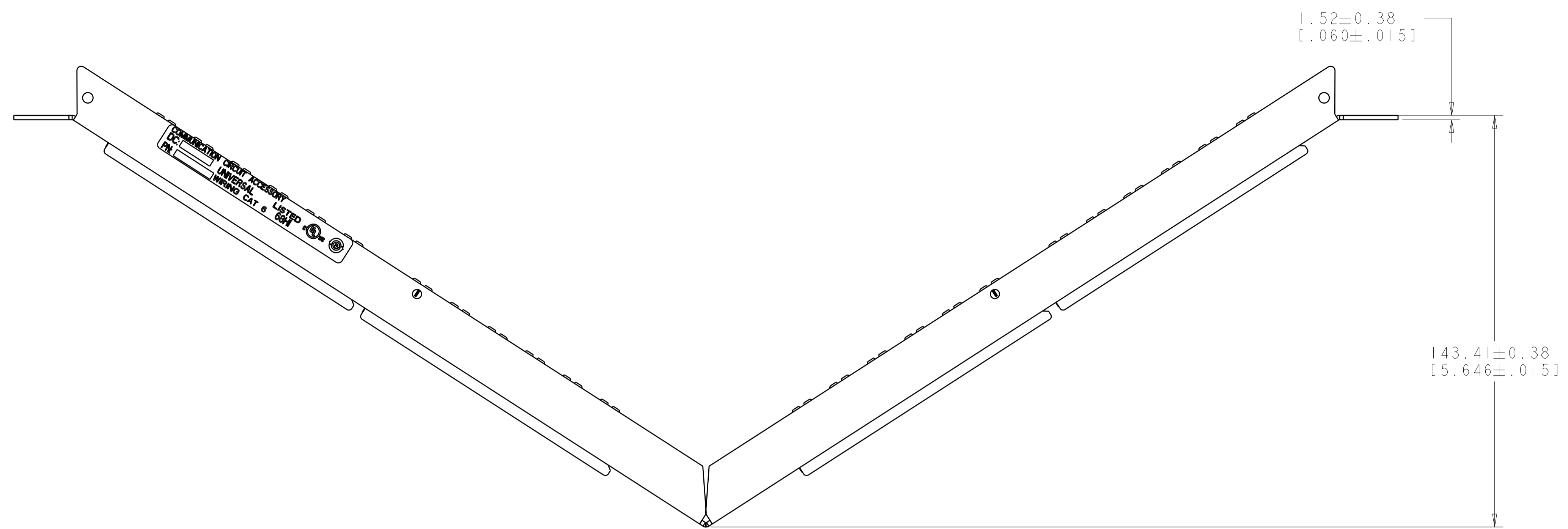
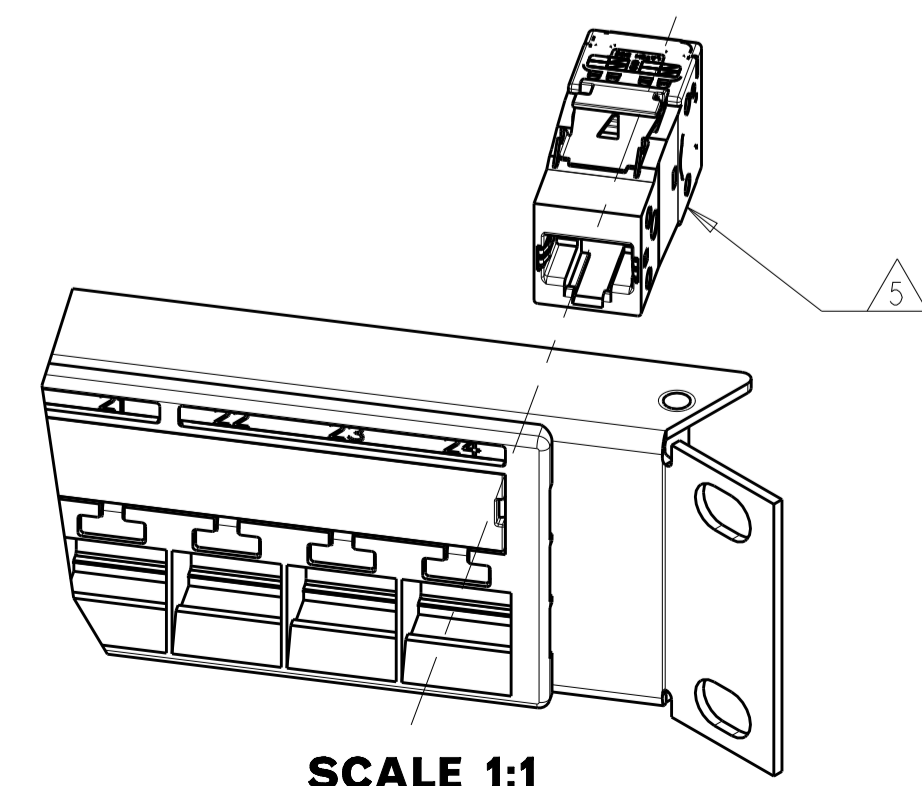
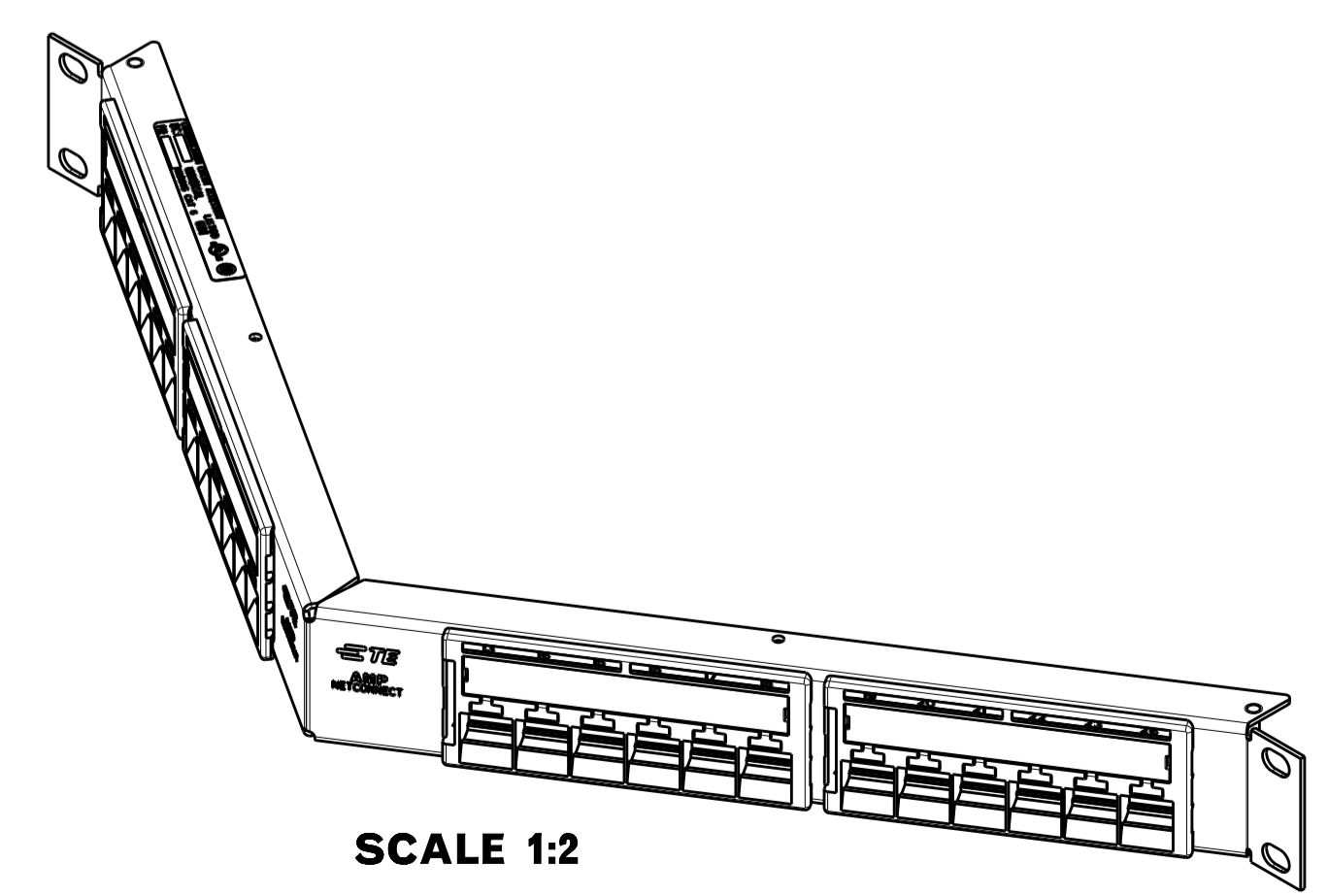
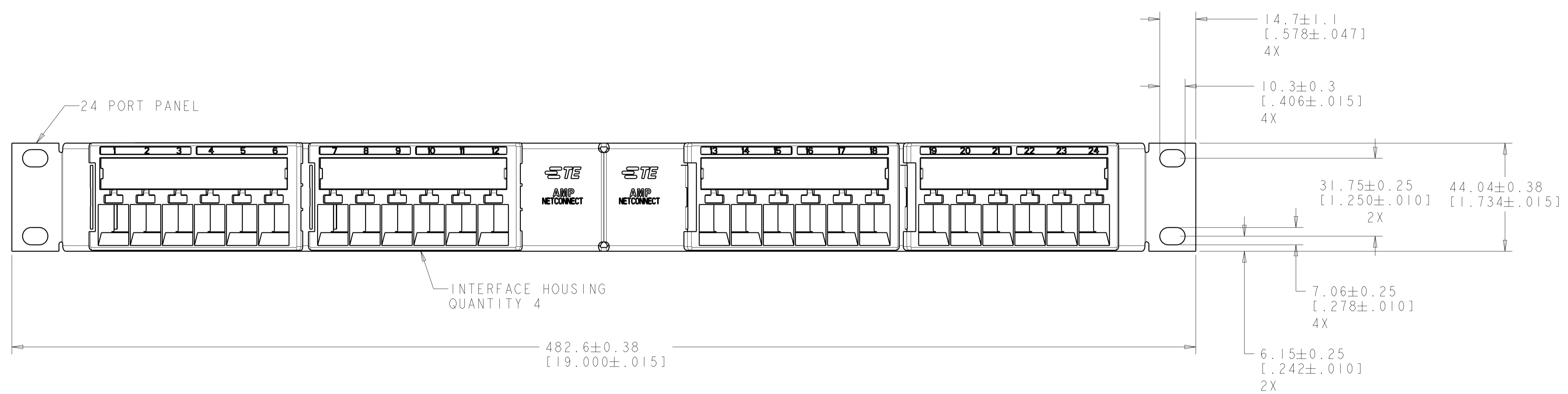


LOC	DIST	REVISIONS					
		P	LTN	DESCRIPTION	DATE	DWN	APVD
		D		REV: ECO-12-019768	19NOV2012	GG	SH



- △ MATERIAL:
 CONNECTOR HOUSING, INTERFACE: POLYESTER MOLDING COMPOUND, BLACK.
 PANEL: BLACK POWDER COAT STEEL WITH WHITE MARKINGS.
- FOUR BLACK 12-24 X 12.7 [.500] LONG AND FOUR 10-32 X 12.7 [.500] LONG CARBON STEEL CROSS RECESSED SCREWS FOR MOUNTING OF PANEL, SHIPPED LOOSE. NOT SHOWN ON DRAWING.
 - FOUR RELEASEABLE CABLE TIES USED FOR CABLE ORGANIZATION/ROUTING ARE SHIPPED LOOSE. NOT SHOWN ON DRAWING.
 - ONE BAG OF STRAIN RELIEFS SHIPPED LOOSE. NOT SHOWN ON DRAWING.
- △ JACKS PACKAGED AND SHIPPED LOOSE. TO BE FIELD INSTALLED.



1933333-1
PART NUMBER

THIS DRAWING IS A CONTROLLED DOCUMENT.		DWN	J. MCNEAL	01JUN2007	TE Connectivity NAME KIT, PATCH PANEL, AMPTRAC 1U, 24 PORT, X6, SHIELDED, ANGLED
DIMENSIONS: MM [INCHES]		CHK	S. HERNDON	01JUN2007	
TOLERANCES UNLESS OTHERWISE SPECIFIED:		APVD	S. HERNDON	01JUN2007	
0 PLC ± 1 PLC ± 2 PLC ± 3 PLC ± 4 PLC ± ANGLES ±		PRODUCT SPEC		APPLICATION SPEC	
MATERIAL	FINISH	WEIGHT	SIZE CAGE CODE DRAWING NO		RESTRICTED TO
△	△		A100779C=1933333		
Customer Drawing			SCALE	1:2	SHEET 1 OF 1 REV D