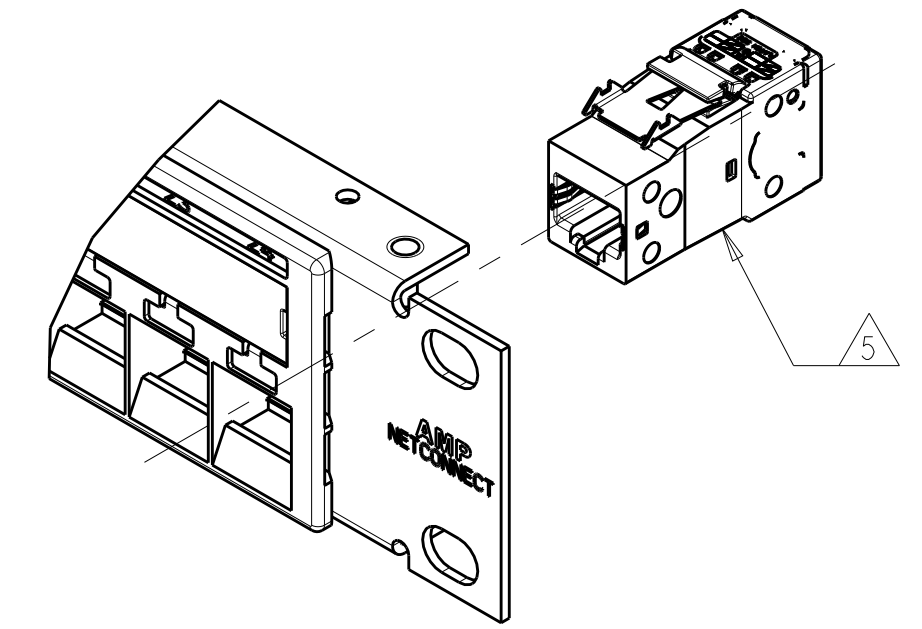
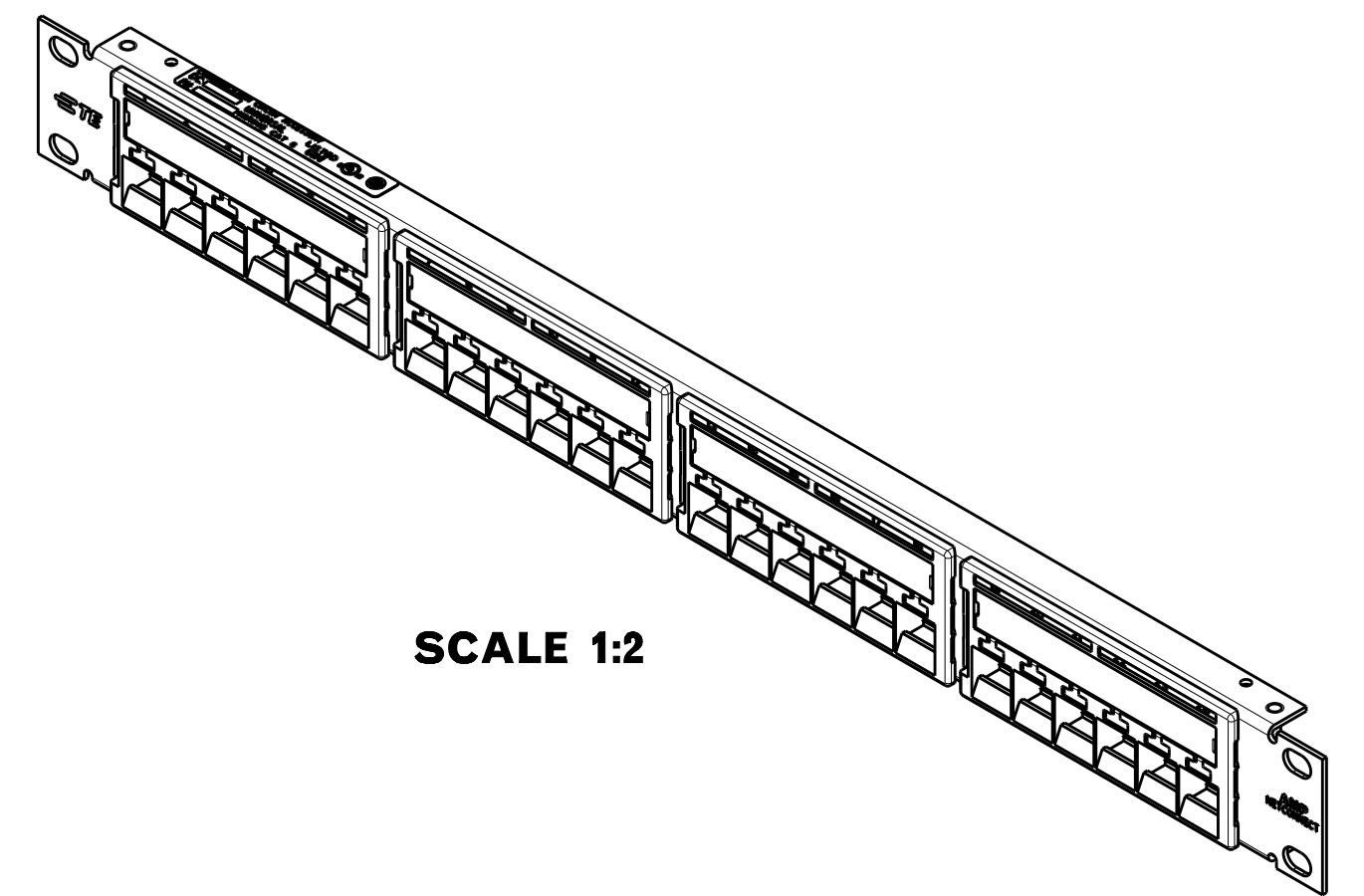
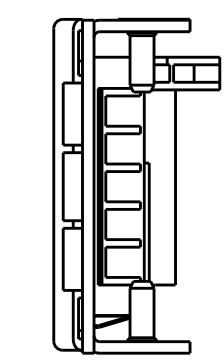
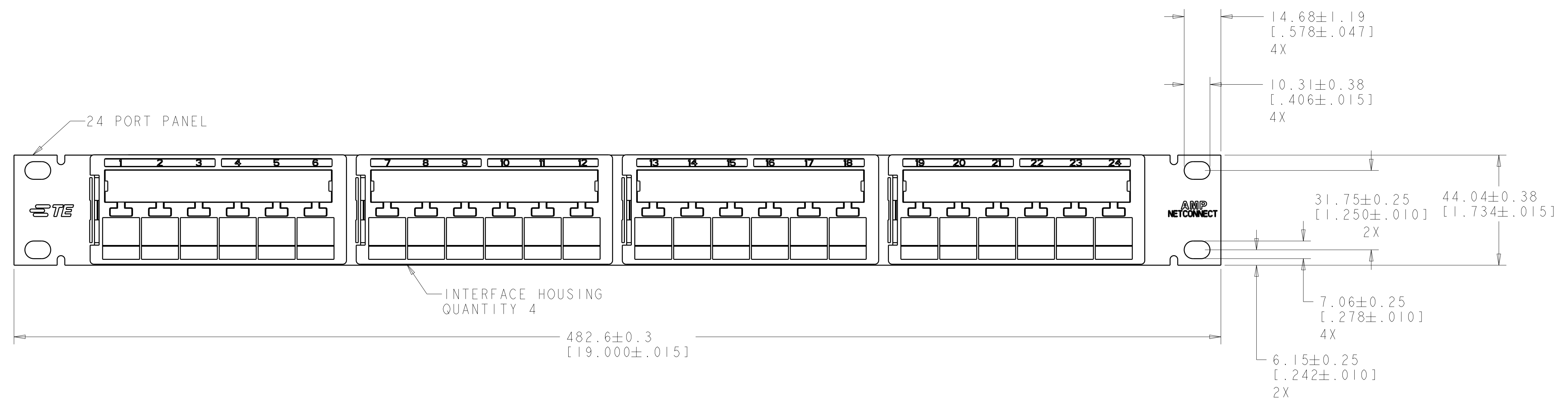
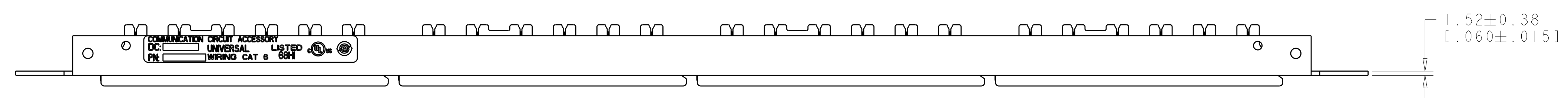


LOC	DIST	REVISIONS					
		P	LTN	DESCRIPTION	DATE	DWN	APVD
HM	00	E		REV; ECO-12-019768	19NOV2012	GG	SH

- △ MATERIAL:
 CONNECTOR HOUSING, INTERFACE: POLYESTER MOLDING COMPOUND, BLACK.
 PANEL: BLACK POWDER COAT STEEL WITH WHITE MARKINGS.
- FOUR BLACK 12-24 X 12.7 [.500] LONG AND FOUR 10-32 X 12.7 [.500] LONG CARBON STEEL CROSS RECESSED SCREWS FOR MOUNTING OF PANEL, SHIPPED LOOSE. NOT SHOWN ON DRAWING.
 - FOUR RELEASEABLE CABLE TIES USED FOR CABLE ORGANIZATION/ROUTING ARE SHIPPED LOOSE. NOT SHOWN ON DRAWING.
 - ONE BAG OF STRAIN RELIEFS SHIPPED LOOSE. NOT SHOWN ON DRAWING.
- △ JACKS PACKAGED AND SHIPPED LOOSE. TO BE FIELD INSTALLED.



1933331-1
 PART NUMBER

THIS DRAWING IS A CONTROLLED DOCUMENT.		DWN J MCNEAL 31MAY2007	TE Connectivity KIT, PATCH PANEL, AMPTRAC 1U, 24 PORT, SHIELDED, XG, FLAT
DIMENSIONS: MM [INCHES]		CHK S HERNDON 31MAY2007	
TOLERANCES UNLESS OTHERWISE SPECIFIED:		APVD S HERNDON 31MAY2007	
0 PLC ± 1 PLC ± 2 PLC ± 3 PLC ± 4 PLC ± ANGLES ±		PRODUCT SPEC APPLICATION SPEC WEIGHT Customer Drawing	
MATERIAL		SIZE CAGE CODE DRAWING NO	RESTRICTED TO
FINISH		A100779C=1933331	
		SCALE 1:2	SHEET 1 OF 1 REV E