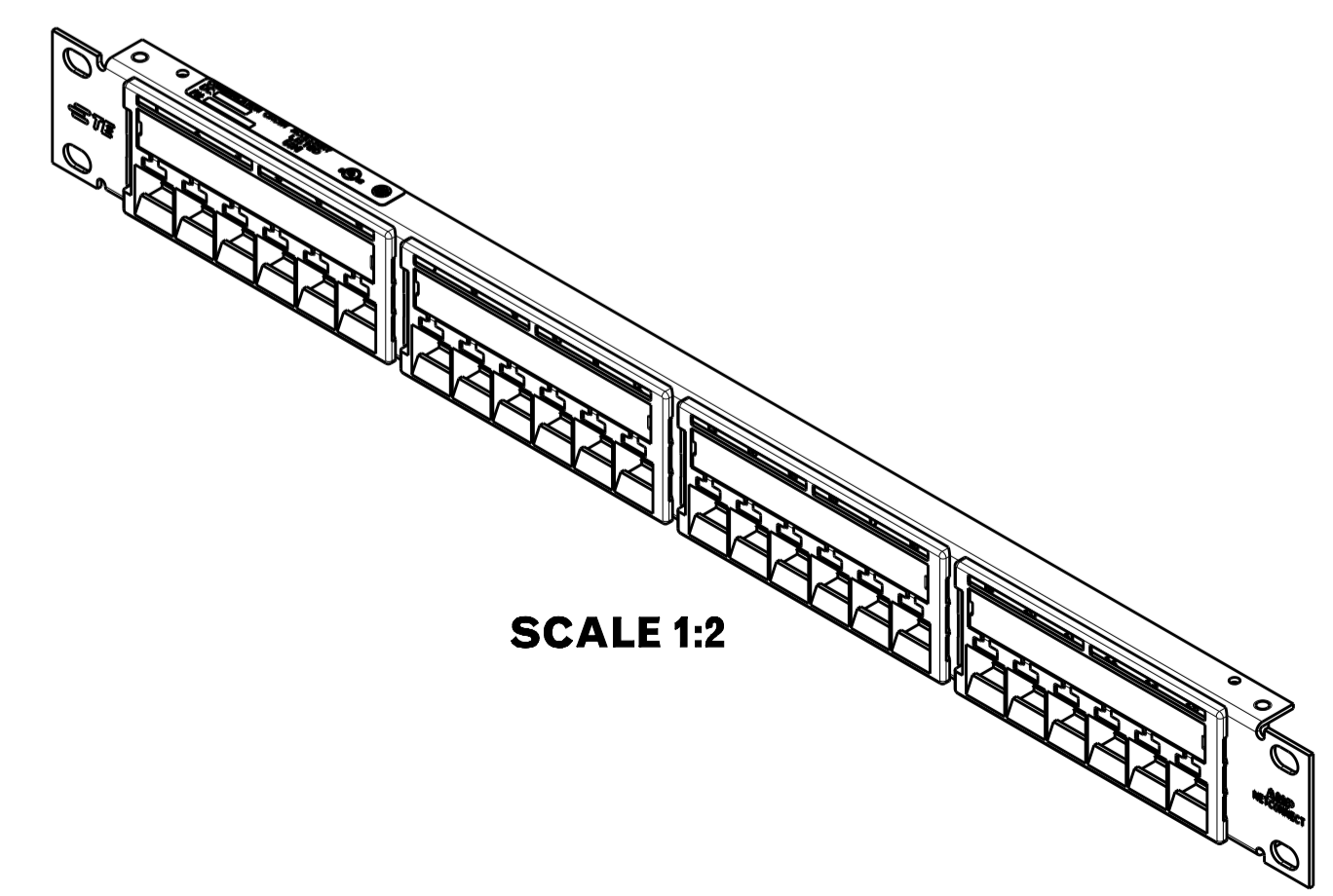
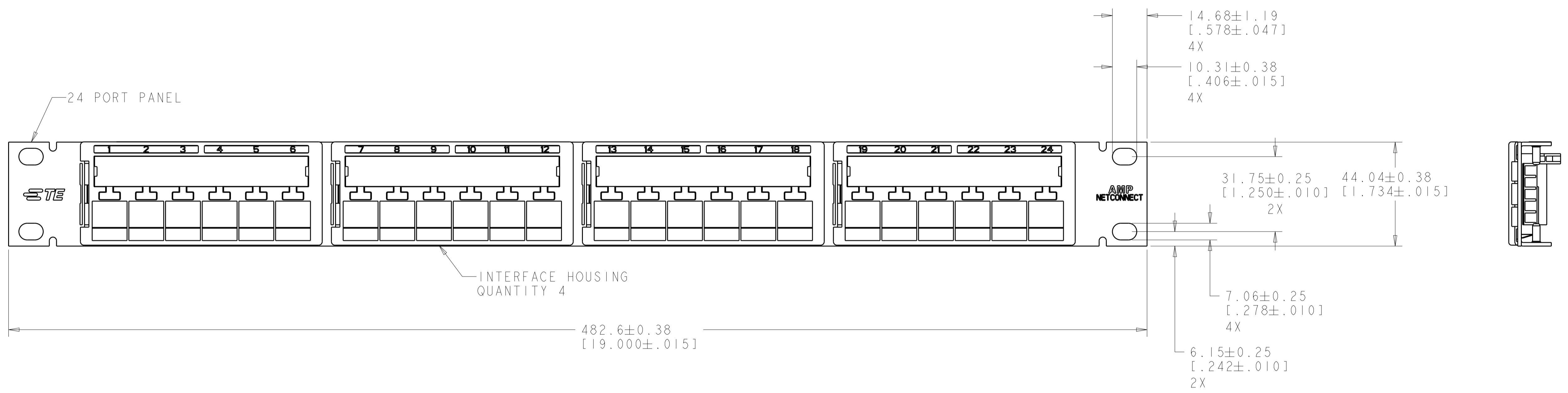
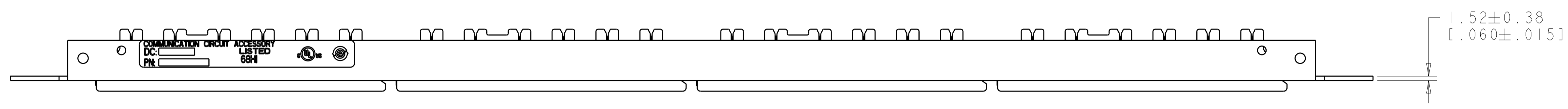


| LOC |    | DIST |     | REVISIONS          |           |     |      |
|-----|----|------|-----|--------------------|-----------|-----|------|
| HM  | 00 | P    | LTN | DESCRIPTION        | DATE      | DWN | APVD |
|     |    | D    |     | REV: ECO-12-019768 | 20NOV2012 | GG  | SH   |

- MATERIAL:**  
 CONNECTOR HOUSING, INTERFACE: POLYESTER MOLDING COMPOUND, BLACK.  
 PANEL: BLACK POWDER COAT STEEL WITH WHITE MARKINGS.  
 AMPTRAC CONTACT : PHOS BRONZE.
2. FOUR BLACK 12-24 X 12.7 [ .500] LONG AND FOUR 10-32 X 12.7 [ .500] LONG CARBON STEEL CROSS RECESSED SCREWS FOR MOUNTING OF PANEL, SHIPPED LOOSE. NOT SHOWN ON DRAWING.



1933323-1  
PART NUMBER

|  |          |                           |   |
|--|----------|---------------------------|---|
| THIS DRAWING IS A CONTROLLED DOCUMENT. |          | DWN: J MCNEAL 24MAY2007   | TE Connectivity   |
| DIMENSIONS: MM [INCHES]                |          | CHK: S HERNDON 24MAY2007  |   |
| TOLERANCES UNLESS OTHERWISE SPECIFIED: |          | APVD: S HERNDON 24MAY2007 | NAME: KIT, PATCH PANEL, AMPTRAC IU, 24 PORT, MULTIMEDIA, FLAT |
| 0 PLC ±                                | 1 PLC ±  | PRODUCT SPEC              | SIZE: CAGE CODE DRAWING NO                                    |
| 2 PLC ±                                | 3 PLC ±  | APPLICATION SPEC          | RESTRICTED TO   |
| 4 PLC ±                                | ANGLES ± | WEIGHT                    | A100779C=1933323  |
| MATERIAL:                              | FINISH:  | CUSTOMER DRAWING          | SCALE: 1:1 SHEET 1 OF 1 REV D                                 |