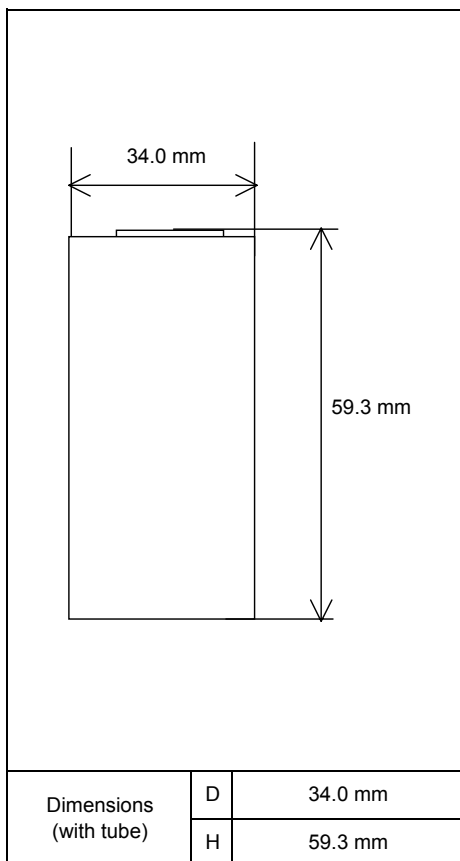


Specifications

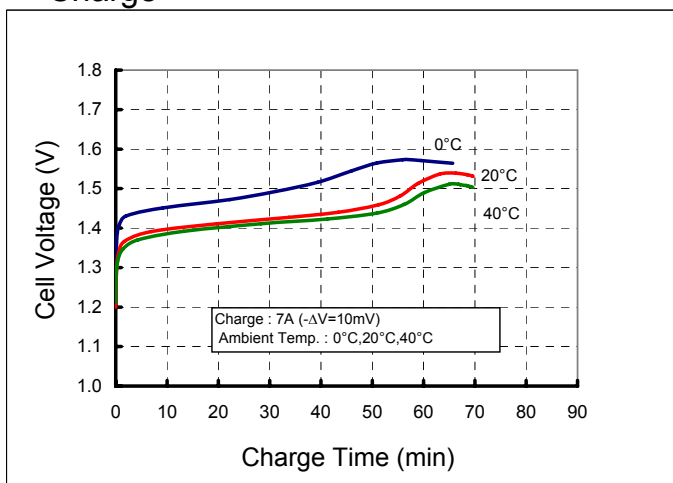


Type : Nickel-Metal Hydride Battery		Size : D	
Capacity ¹⁾	Typical	7300mAh	
	Minimum	6500mAh	
Nominal Voltage		1.2V	
Charging Current x Time	Fast Charge ²⁾	5000 mA x about 1.7h	
Ambient Temp.	Charge Condition	Fast Charge ²⁾ 0°C - 40°C	
	Discharge Condition 0°C - 50°C		
	Storage Condition	Less than 30days	-20°C - 50°C
		Less than 90days	-20°C - 40°C
Less than 1year		-20°C - 30°C	
Internal Impedance ³⁾ (after discharge to E.V.=1.0V)		Approx. 5mΩ(at 1000Hz)	
Weight ⁴⁾		Approx. 175 g	
Size ⁴⁾ : (Diameter) x (Height)		34.0(D) x 59.3(H) mm	

- 1) Single cell capacity under the following condition.
Charge : 730mA×16h, Discharge : 1460mA(E.V.=1.0V) at 20°C
- 2) Use recommended charging system.
- 3) After a few charge and discharge cycles under the above 1) condition.
- 4) With tube.

Typical Characteristics

Charge



Discharge

